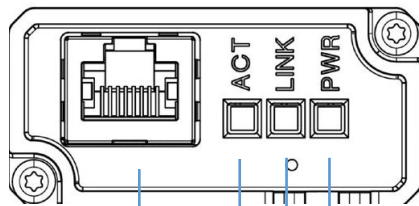


INSTALLATION INSTRUCTIONS



- RJ45 Connector for PoE input over CAT5e (PoE rated)/CAT6/CAT6A
- Link Speed Indication – Active when operating speed is 100Mbps
- Link Activity Indicator – Blinks when detecting activity on the network
- Power Indicator LED

Order No.	Description
1820560000	CoreSync 2x2 Troffer
1820560001	Troffer Light Bar

Molex is a registered trademark of Molex, LLC in the United States of America and may be registered in other countries; all other trademarks listed herein belong to their respective owners

IMPORTANT SAFETY INSTRUCTIONS. SAVE THESE INSTRUCTIONS

1. CAUTION AND WARNING

- **CAUTION** – Observe precautions for handling electrostatic sensitive devices.
- **WARRANTY** – Voided if device has been modified from its original configuration or in the event of hot plug/hot swap.
- **WARNING** – Risk of Electric Shock. Do not handle energized module with wet hands or when standing on wet surfaces.
- Use only with Class 2 Power Unit – 60VDC Max.
- Do not use outdoors.
- Suitable for damp locations
- Conforms to UL standard 2108 – Certified to CSA standard C22.2 NO. 250.0.
- Access above ceiling required.

CORESYNC TROFFER MUST BE INSTALLED BY A CORESYNC CERTIFIED TECHNICIAN AND QUALIFIED ELECTRICIAN

(CHECK WITH LOCAL AND NATIONAL CODES FOR PROPER INSTALLATION)

Molex is a registered trademark of Molex, LLC in the United States of America and may be registered in other countries; all other trademarks listed herein belong to their respective owners

Before installing this fixture or doing any maintenance, make sure to turn off the power supply at the circuit breaker or fuse box.

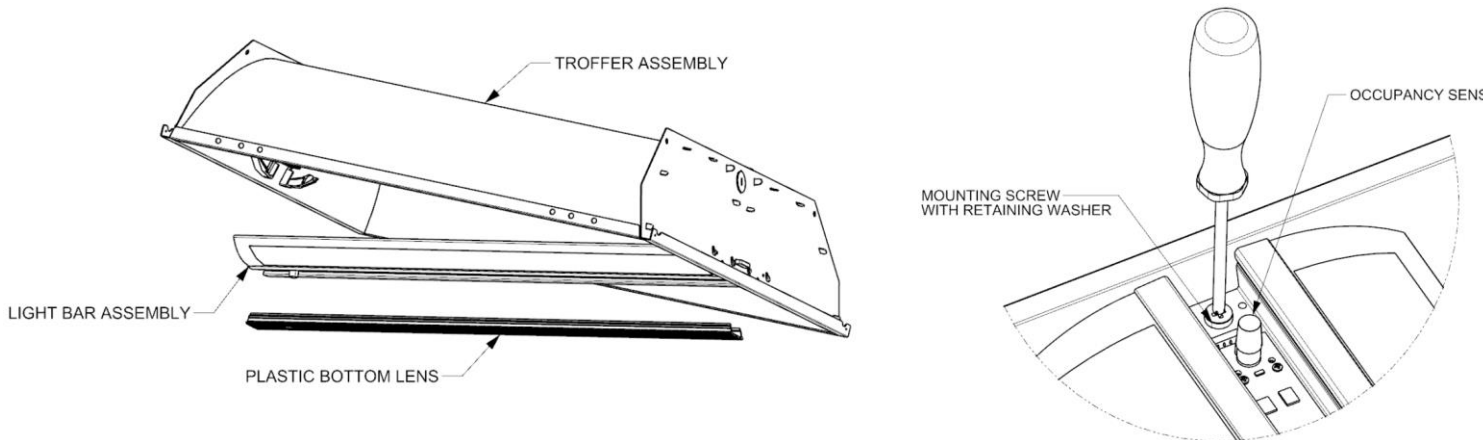
2. Product Description:

The CoreSync 2x2 Troffer Luminaire utilizes the latest technologies in LED lighting, networking, and control software to create a highly efficient, cost-effective and aesthetically powerful experience.

The CoreSync 2x2 Troffer is a rugged yet elegant luminaire designed to reduce installation costs, help achieve energy-saving objectives and provide a pleasant lighting experience for end users. Together with the latest LEDs, industry-standard network switches and CoreSync control software managing PoE Gateways, LED Smart Drivers and an array of sensor options, the CoreSync 2x2 Troffer Luminaire delivers an easy-to-apply lighting solution for new construction or retrofit applications

3. Procedures

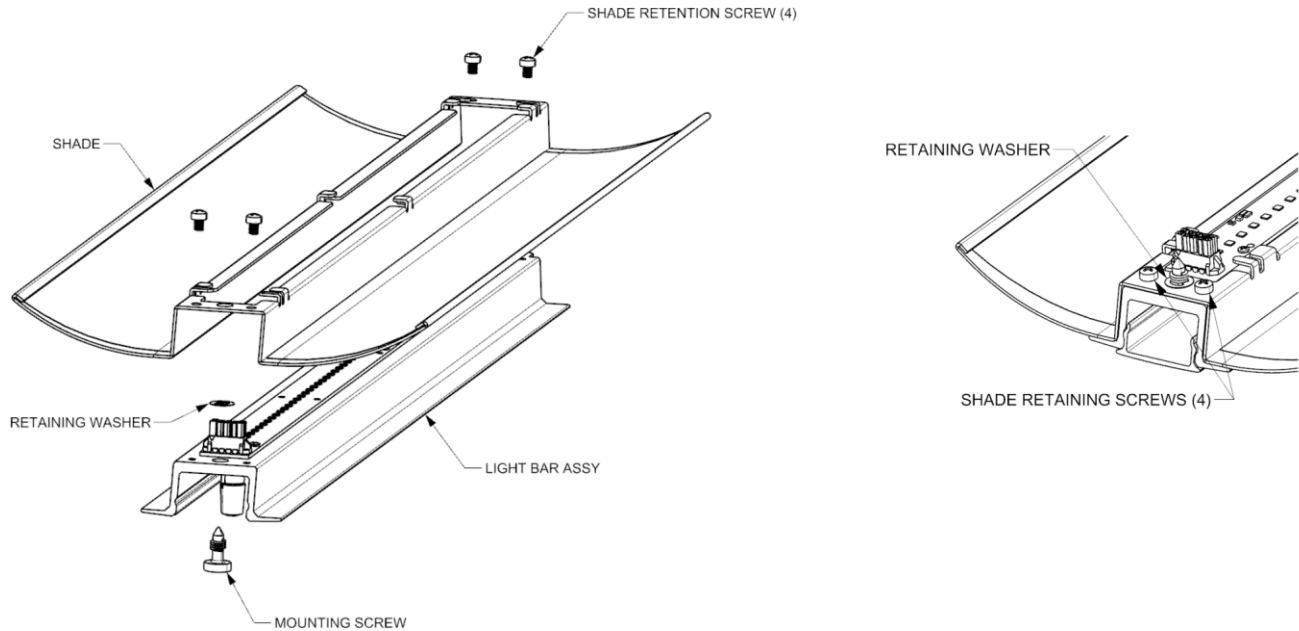
Step 1. Unpack the troffer from its shipping container, **Note (4) T-bar clips in plastic bag taped in box.



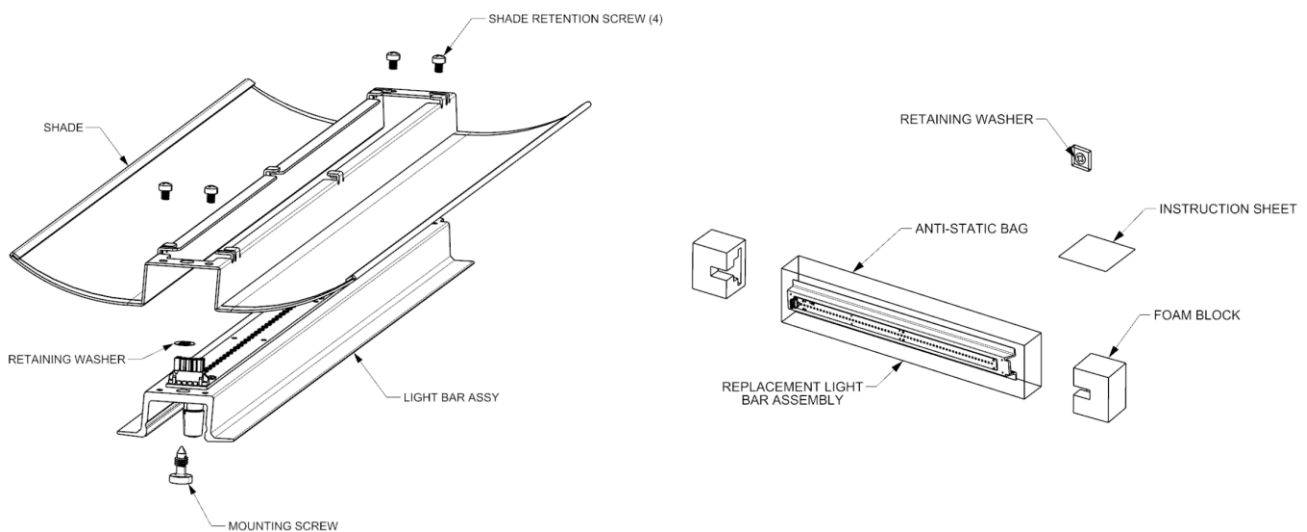
Molex is a registered trademark of Molex, LLC in the United States of America and may be registered in other countries; all other trademarks listed herein belong to their respective owners

INSTALLATION INSTRUCTIONS

Step 2. Install (OPTIONAL) T-bar clip kit into the holes of the troffer as shown below. Please note the correct position to install the clip. Check with your National Electric Code if additional means of support clips or wires are needed. If you do not need clips please skip and go to Step 3. (total of 4 clips installed; 2 on each side):



Step 3. Place the troffer into the T-bar ceiling grid. Insuring Troffer is sitting flat in grid. (If used, optional T-Bar clips fully engage)

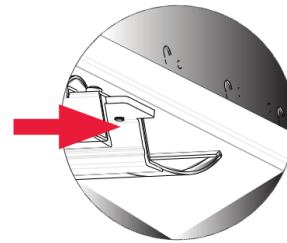
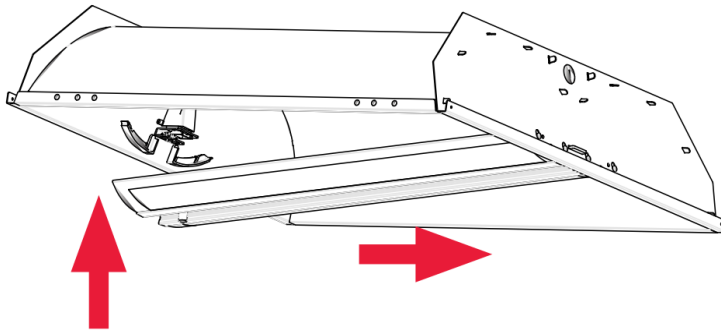


Molex is a registered trademark of Molex, LLC in the United States of America and may be registered in other countries; all other trademarks listed herein belong to their respective owners

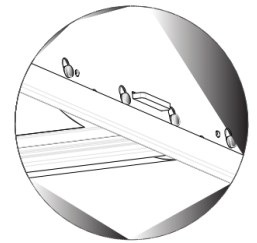
INSTALLATION INSTRUCTIONS

Step 4a. On the front top side of the PoE Box connect PoE CAT cable until you hear a “CLICK”. Use a UTP (unshielded twisted pair) CAT5E or CAT6 cable*. The maximum length of cable should not exceed 100 meters. Visit www.transcendled.com for more information.

Insert tongue side into the troffer housing.

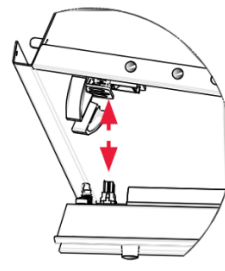
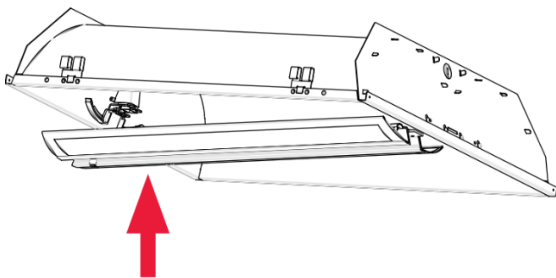


Part A- Tongue insertion guide close up: BEFORE

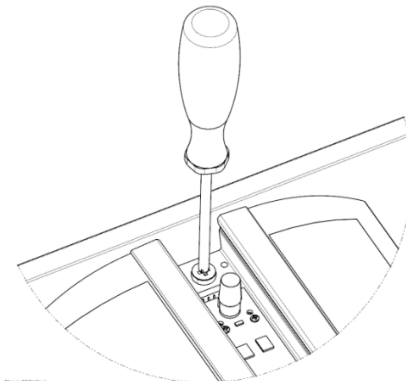


Part A- Tongue insertion guide close up: AFTER

Step 4b. Once the tongue end is inserted, keep constant pressure in that horizontal direction and start to connect the two micro fit connectors as shown in Part B below. Warning- Risk of personal injury: Test engagement of the tongue to prevent the light bar from falling out during installation. Be sure to tighten the screw located on the connector side. Be cautious not to damage the occupancy sensor during this process



Part B- Connector end close up



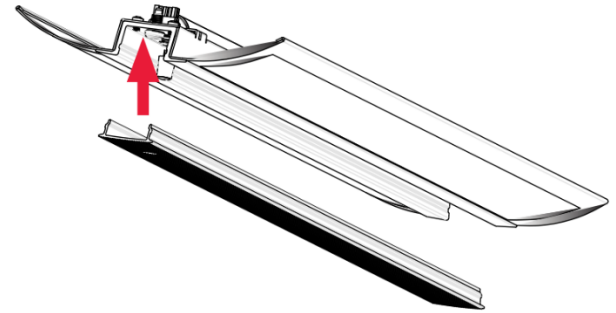
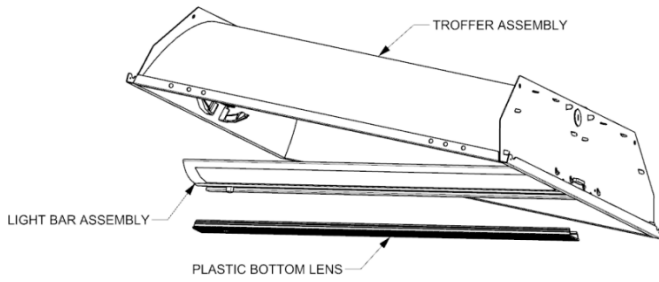
Step 5. Carefully snap the plastic lens bottom diffuser onto the light-bar. Be cautious of the occupancy sensor and not to damage during this process.

Molex is a registered trademark of Molex, LLC in the United States of America and may be registered in other countries; all other trademarks listed herein belong to their respective owners

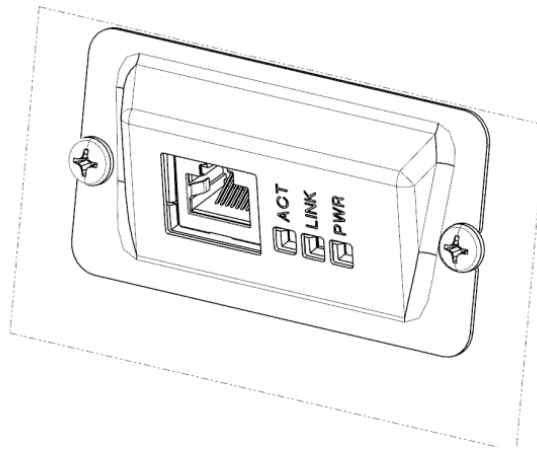
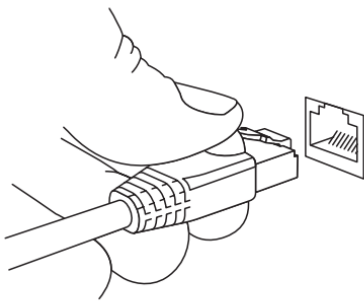
CoreSync 2x2 Troffer



INSTALLATION INSTRUCTIONS



Step 6. On the front top side of the PoE Box connect PoE CAT cable until you hear a “CLICK”. Use a UTP (unshielded twisted pair) CAT5E or CAT6 cable*. The maximum length of cable should not exceed 100 meters.



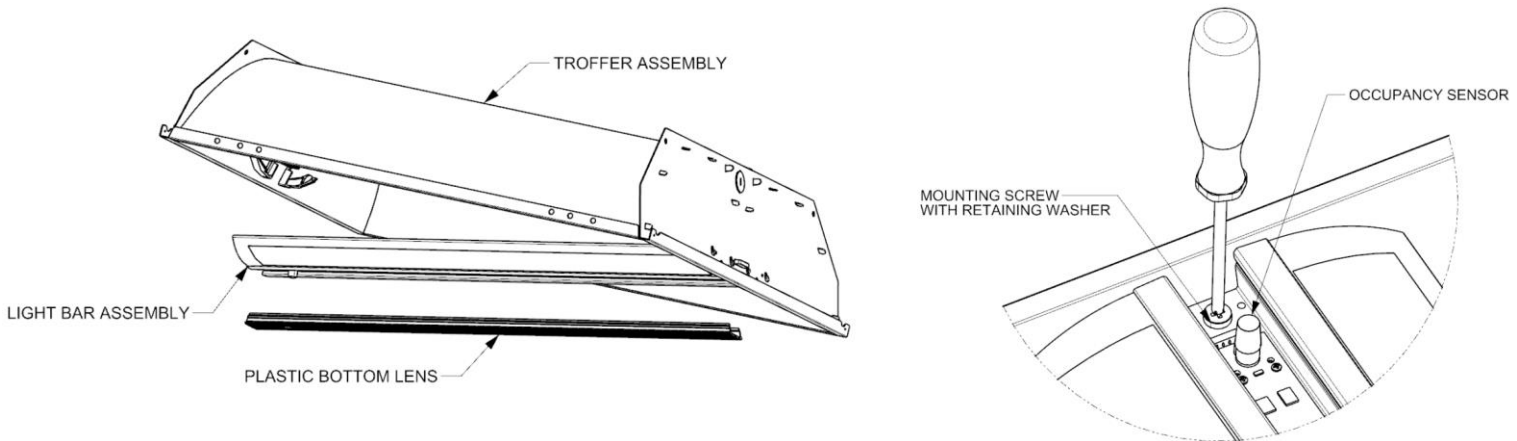
ACT= Active
LINK= Link
PWR= Power

Molex is a registered trademark of Molex, LLC in the United States of America and may be registered in other countries; all other trademarks listed herein belong to their respective owners

INSTALLATION INSTRUCTIONS

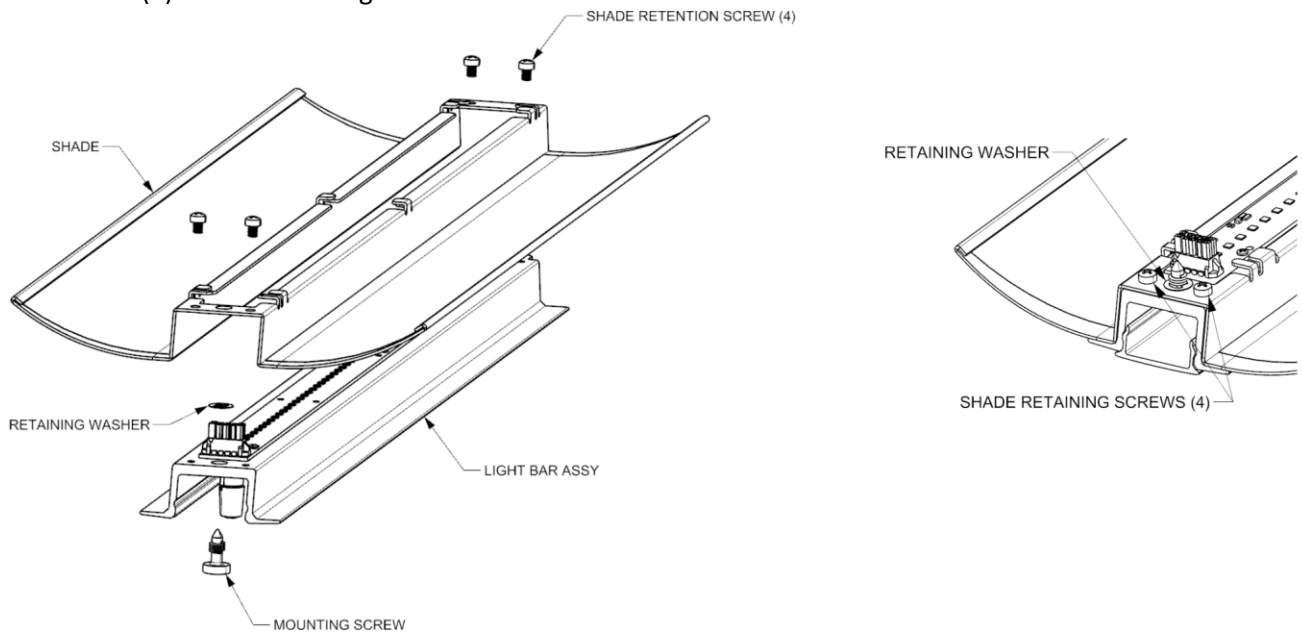
4. Light Bar Removal/Installation Instructions for Service

Step 1. Carefully remove the plastic lens bottom diffuser from the light-bar assembly. Loosen mounting screw (PCBA side). Be cautious not to damage the occupancy sensor during this process. Remove light bar assembly from troffer assembly.



Step 2.

- a. Remove mounting screw (OCC SENSOR side) and retaining washer (LED side), Be cautious not to damage the occupancy sensor during this process.
- b. Remove (4) shade mounting screws and lift shade off bar.

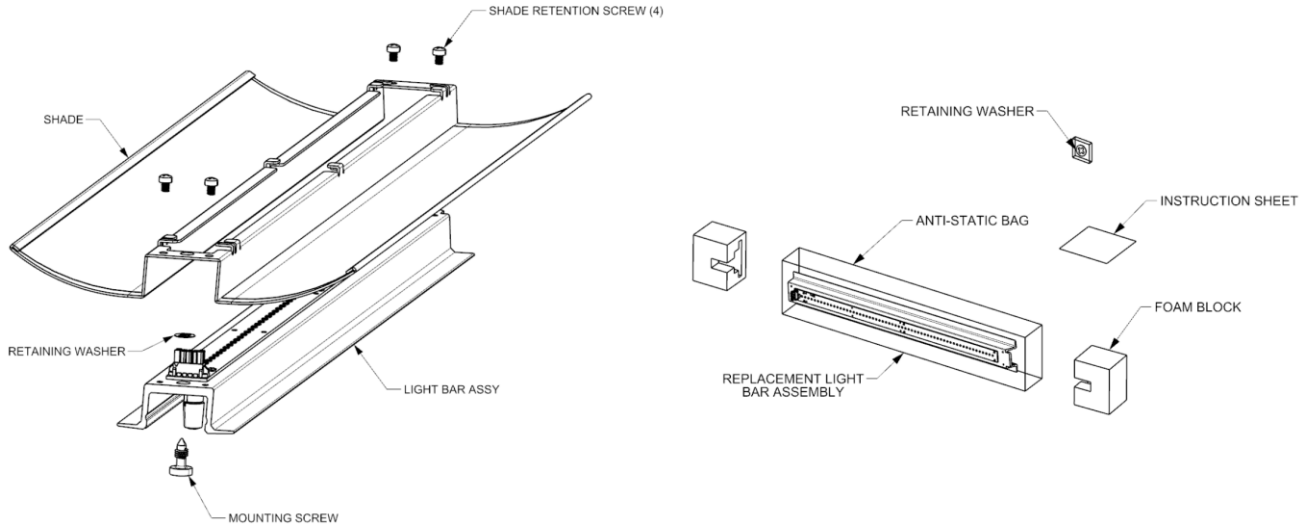


Molex is a registered trademark of Molex, LLC in the United States of America and may be registered in other countries; all other trademarks listed herein belong to their respective owners

INSTALLATION INSTRUCTIONS

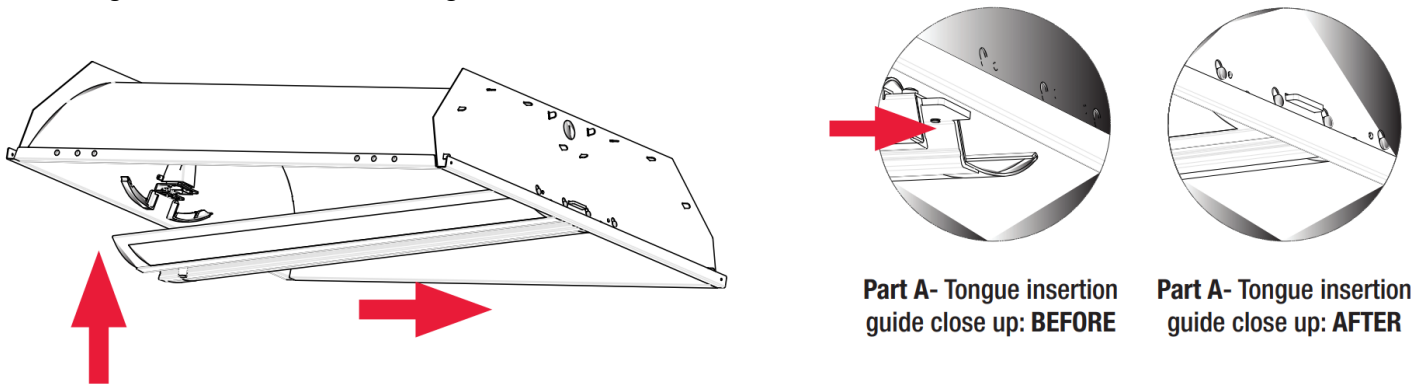
Step 3. Remove replacement light bar from box. ****note new lock washer in box.**

- a. Install (4) shade mounting screws to shade.
- b. Install mounting screw and retaining washer to assembly.
- c. Transfer occupancy sensor from old light bar to replacement light bar.



Step 4a. RE_INSTALLATION of light bar assembly into troffer.

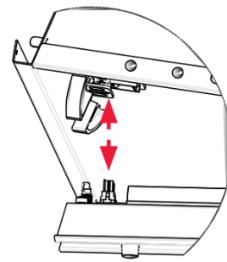
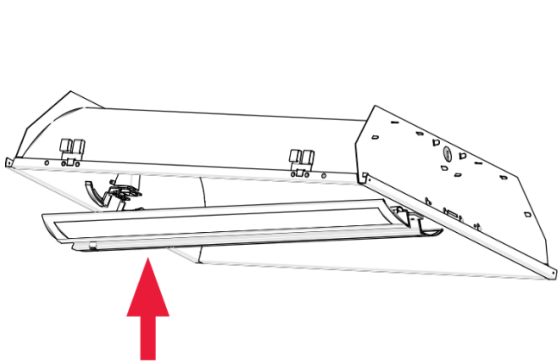
Insert tongue side into the troffer housing.



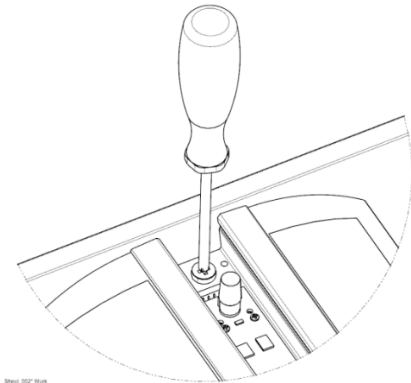
Step 4b. Once the tongue end is inserted, keep constant pressure in that horizontal direction and start to connect the two micro fit connectors as shown in Part B below. **Warning- Risk of personal injury: Test engagement of the tongue to prevent the light bar from falling out during installation. Be sure to tighten the screw located on the connector side. Be cautious not to damage the occupancy sensor during this process**

Molex is a registered trademark of Molex, LLC in the United States of America and may be registered in other countries; all other trademarks listed herein belong to their respective owners

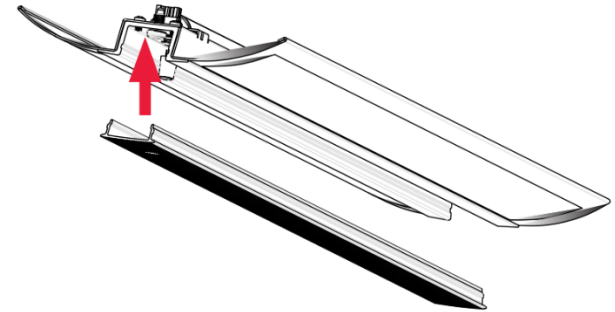
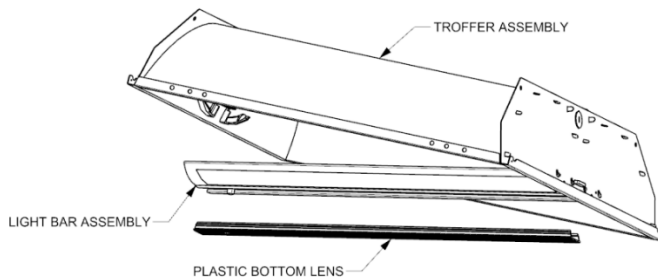
INSTALLATION INSTRUCTIONS



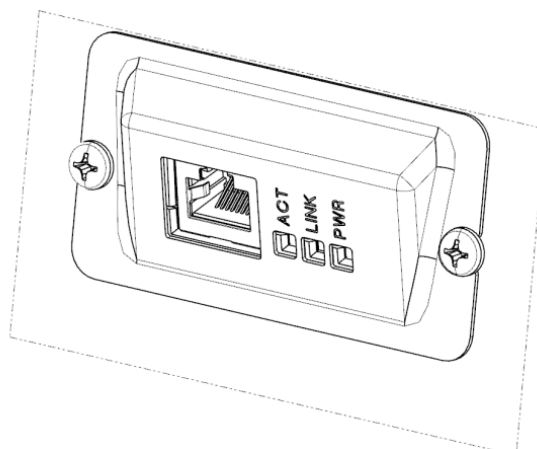
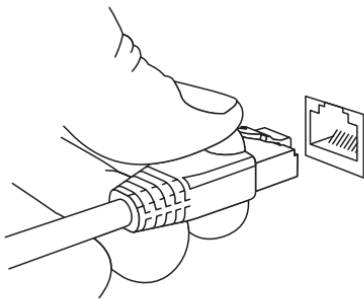
Part B- Connector end close up



Step 5. Carefully snap the plastic lens bottom diffuser onto the light-bar. Be cautious of the occupancy sensor and not to damage during this process.



Step 6. On the front top side of the PoE Box connect PoE CAT cable until you hear a “CLICK”. Use a UTP (unshielded twisted pair) CAT5E or CAT6 cable*. The maximum length of cable should not exceed 100 meters.



ACT= Active
LINK= Link
PWR= Power

Molex is a registered trademark of Molex, LLC in the United States of America and may be registered in other countries; all other trademarks listed herein belong to their respective owners

- LEGAL DISCLAIMER -

The author has made every attempt to ensure the accuracy and reliability of the information provided in this document. However, the information is provided "as is" without warranty of any kind. Molex does not accept any responsibility or liability for the accuracy, content, completeness, legality, or reliability of the information contained in this document.

This document is provided to you solely for your own personal use and may not be used for resale, distribution, public display or performance or other similar uses by you. The materials in this document as well as its photographs, images, layout, organization and design are copyrighted and are protected by worldwide copyright laws and treaty provisions. Trademarks, logos and service marks displayed on this site are registered and unregistered trademarks of Molex, its licensors or content providers, or other third parties. All of these materials, trademarks, logos and service marks are the property of their respective owners.

Molex Connected Enterprise Solutions 



Molex is a registered trademark of Molex, LLC in the United States of America and may be registered in other countries; all other trademarks listed herein belong to their respective owners