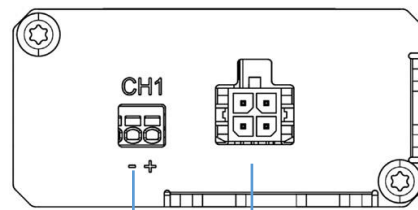
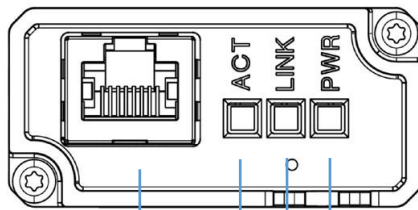


CoreSync Gateway 60W UPOE, 1xCV, 24V



INSTALLATION INSTRUCTIONS



RJ45 Connector for PoE input over CAT5e (PoE rated)/CAT6/CAT6A

Link Speed Indication – Active when operating speed is 100Mbps

Link Activity Indicator – Blinks when detecting activity on the network

Power Indicator LED

4-pin Micro-Fit 3.0 Connector for CoreSync Bus
42-57 VDC + RS485 Data line

Poke-In connection for constant voltage LED fixtures
24V up to 1.8A (43.2W)

Order No.	Description
1809932012	CoreSync Gateway 60W UPOE, 1xCV, 24V

Molex is a registered trademark of Molex, LLC in the United States of America and may be registered in other countries; all other trademarks listed herein belong to their respective owners

INSTALLATION INSTRUCTIONS

1. CAUTION AND WARNING:

- **CAUTION** – Observe precautions for handling electrostatic sensitive devices.
- **WARRANTY** – Voided if device has been modified from its original configuration or in the event of hot plug/hot swap.
- **WARNING** – Risk of Electric Shock. Do not handle energized module with wet hands or when standing on wet or damp surfaces.
- **DO NOT** DISASSEMBLE THE CONSTANT VOLTAGE GATEWAY
- **DO NOT** connect the CoreSync Harness when Gateway is energized
- **DO NOT** handle energized unit with wet hands or when standing on wet or damp surfaces.
- **DO NOT** use outdoors.
- Only to be used with CoreSync System
- Read and follow all safety instructions.
- Use only with Class 2 Power Unit – 60VDC maximum.
- Suitable for damp locations.
- Gateway has internal over-temperature protection, but **DO NOT** hot swap. Always de-energize the Gateway before plugging or unplugging the 4-pin Micro-Fit 3.0 connector from the Gateway's output.
- Maximum ambient temperature of 40°C.
- Installation location is recommended to be accessible for future troubleshooting.
- UL 1310 listed, Certified to CSA standard C22.2 No. 223. For CSA, device is intended to be installed in a restricted access area. Plenum rated.

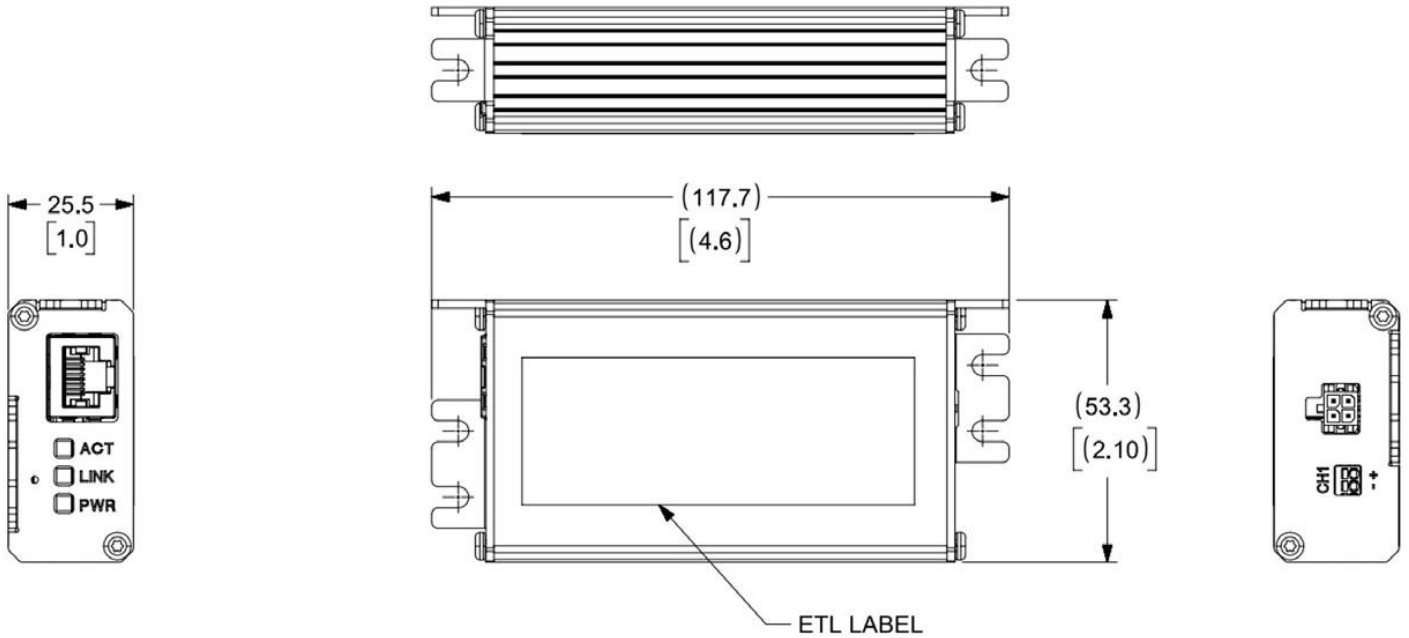
**GATEWAY MUST BE INSTALLED BY A CORESYNC CERTIFIED TECHNICIAN AND QUALIFIED ELECTRICIAN
(CHECK WITH LOCAL AND NATIONAL CODES FOR PROPER INSTALLATION)**

INSTALLATION INSTRUCTIONS

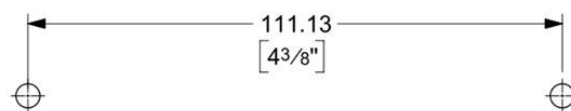
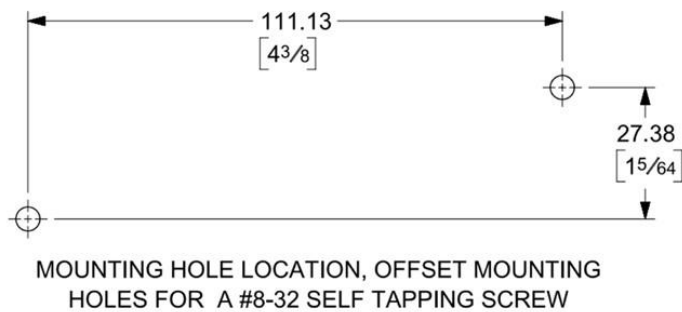
2. PROCEDURES:

Step 1: Refer to the dimensions and mounting patterns below.

Dimensions for the CoreSync Gateway 60W UPOE, 1xCV, 24V:

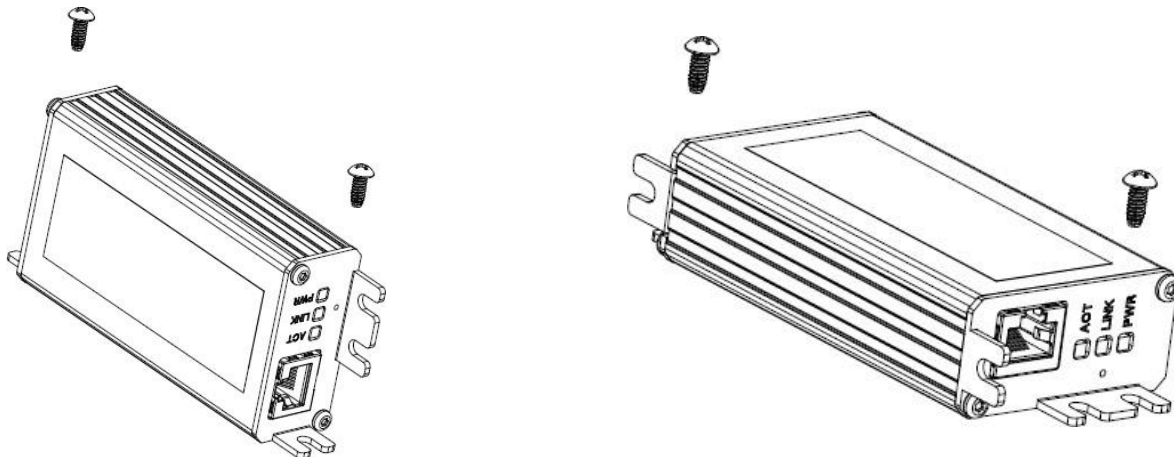


Mounting pattern for CoreSync Gateway 60W UPOE, 1xCV, 24V:



INSTALLATION INSTRUCTIONS

Step 2. Use two #8 self-tapping screws to mount the PoE Gateway as shown (screws not provided):



Step 3. Snap in the RJ45 connector into the Gateway as shown (fig. 1). Snap the 4ckt Micro-Fit 3.0 Harness Connector into the female connector as shown below (fig. 2) Poke tinned wire “LED +” and “LED -” into poke-in connector in “CH1 +/-”.

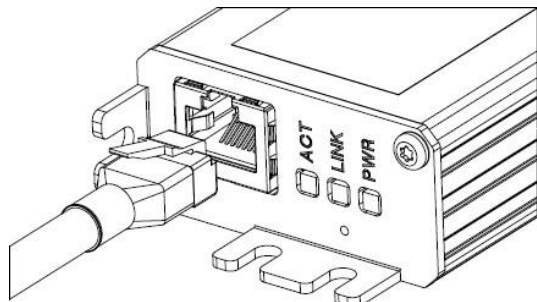


fig. 1

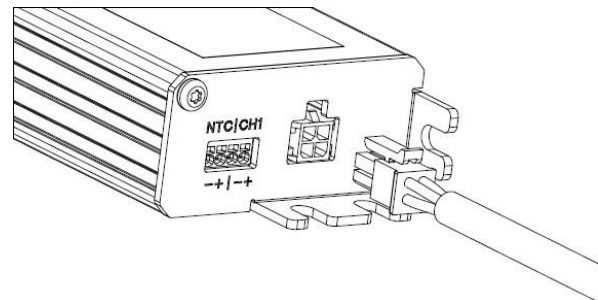


fig. 2

**Please note the Power LED indicator will turn on once you have power. The LINK and ACTIVE indicators will blink on and off rapidly once you have network connection.*

3. Calculating Max Connected Devices

The Cisco UPOE standard delivers up to 60W at the input of the Gateway. Using this number and the max power consumption of 5.7W for this Gateway, provides 54.3W of connected devices. Please use individual data sheets of the connected devices in tandem with the CoreSync Harness Length Calculator to determine the maximum power consumption. Typical design calls for 51W at the input of the Gateway with 5.3W of power consumption to account for cable losses, providing 45.7W of connected devices. Maximum LED power output is 43.2W at 24V. For further details please refer to the CoreSync Academy Module “Device Layout & Design Overview”.

- LEGAL DISCLAIMER -

The author has made every attempt to ensure the accuracy and reliability of the information provided in this document. However, the information is provided "as is" without warranty of any kind. Molex does not accept any responsibility or liability for the accuracy, content, completeness, legality, or reliability of the information contained in this document.

This document is provided to you solely for your own personal use and may not be used for resale, distribution, public display or performance or other similar uses by you. The materials in this document as well as its photographs, images, layout, organization and design are copyrighted and are protected by worldwide copyright laws and treaty provisions. Trademarks, logos and service marks displayed on this site are registered and unregistered trademarks of Molex, its licensors or content providers, or other third parties. All of these materials, trademarks, logos and service marks are the property of their respective owners.

Molex Connected Enterprise Solutions 



Molex is a registered trademark of Molex, LLC in the United States of America and may be registered in other countries; all other trademarks listed herein belong to their respective owners