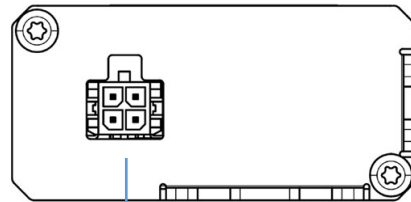
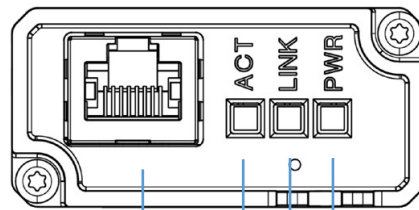


INSTALLATION INSTRUCTIONS



- ← RJ45 Connector for PoE input over CAT5e (PoE rated)/CAT6/CAT6A
- ← Link Speed Indication – Active when operating speed is 100Mbps
- ← Link Activity Indicator – Blinks when detecting activity on the network
- ← Power Indicator LED

← 4-pin Micro-Fit 3.0 Connector for CoreSync Bus
42-57 VDC + RS485 Data line

| Order No. | Description |
|------------|--|
| 1807981000 | CoreSync Gateway 90W 802.3bt, Silver Metal |

Molex is a registered trademark of Molex, LLC in the United States of America and may be registered in other countries; all other trademarks listed herein belong to their respective owners

1. CAUTION AND WARNING:

- **CAUTION** – Observe precautions for handling electrostatic sensitive devices.
- **WARRANTY** – Voided if device has been modified from its original configuration or in the event of hot plug/hot swap.
- **WARNING** – Risk of Electric Shock. Do not handle energized module with wet hands or when standing on wet or damp surfaces.
- DO NOT DISASSEMBLE THE GATEWAY 90W
- Do not use outdoors.
- Use only with Class 2 Power Unit – 60VDC maximum.
- Suitable for damp locations.
- Gateway has internal over-temperature protection, but do **NOT** hot swap. Always de-energize the Gateway before plugging or unplugging the 4-pin Micro-Fit 3.0 connector from the Gateway's output.
- Maximum ambient temperature of 40°C.
- Installation location is recommended to be accessible for future troubleshooting.
- This product should only be serviced by a CoreSync Certified Technician.
- UL 2108 listed, Certified to CAN/CSA standard C22.2 No. 250.0, Plenum rated

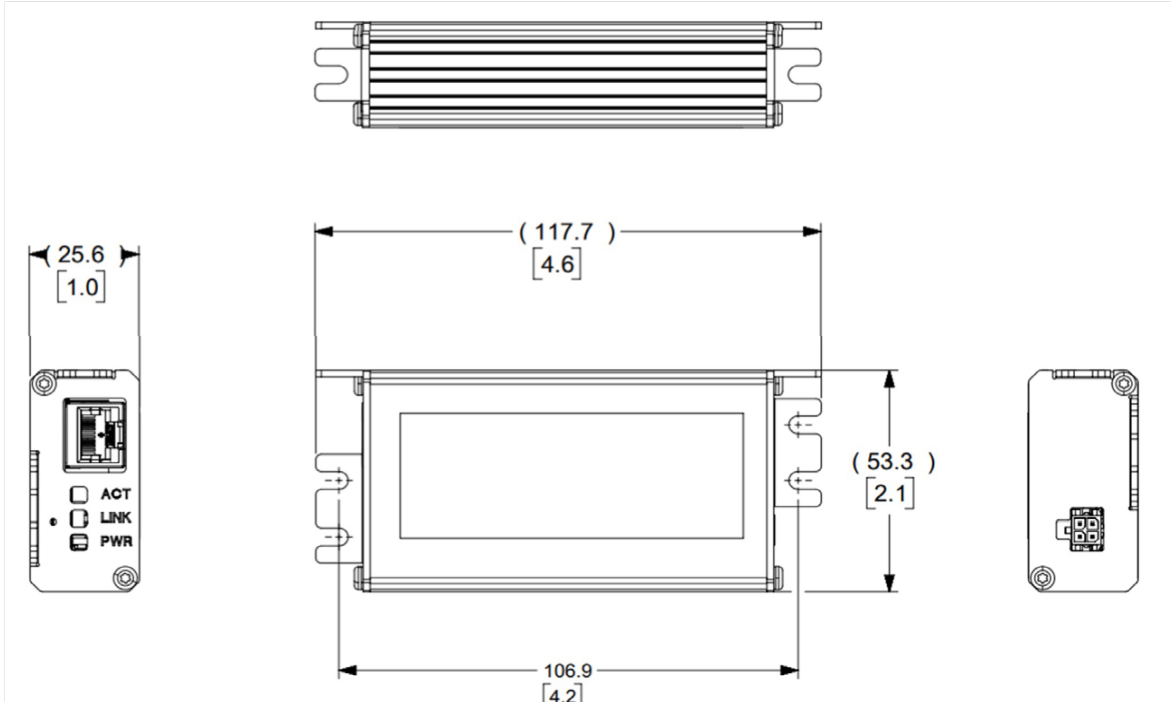
**GATEWAY MUST BE INSTALLED BY A CORESYNC CERTIFIED TECHNICIAN OR QUALIFIED ELECTRICIAN
(CHECK WITH LOCAL AND NATIONAL CODES FOR PROPER INSTALLATION)**

Molex is a registered trademark of Molex, LLC in the United States of America and may be registered in other countries; all other trademarks listed herein belong to their respective owners

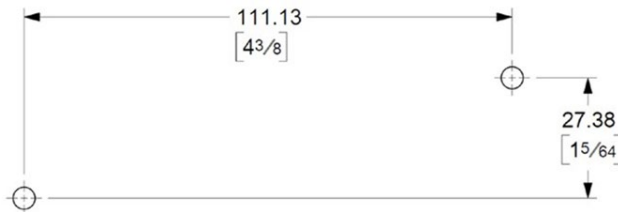
2. PROCEDURES:

Step 1: Refer to the dimensions and mounting patterns below to mount the 90W 802.3bt Gateway.

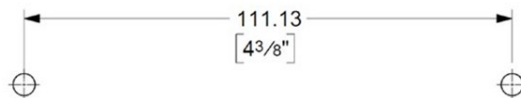
Dimensions for CoreSync 90W 802.3bt Gateways:



Mounting pattern for CoreSync 90W 802.3bt Gateways:



MOUNTING HOLE LOCATION, OFFSET MOUNTING HOLES FOR A #8-32 SELF TAPPING SCREW

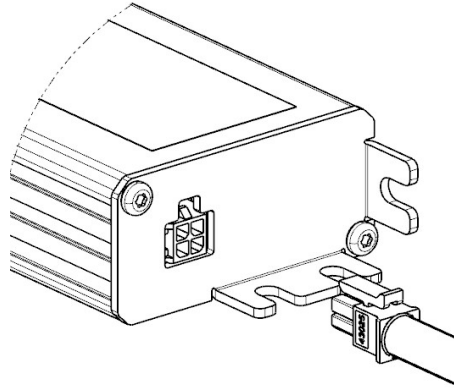


MOUNTING HOLE LOCATION, VERTICAL/CENTER MOUNTING

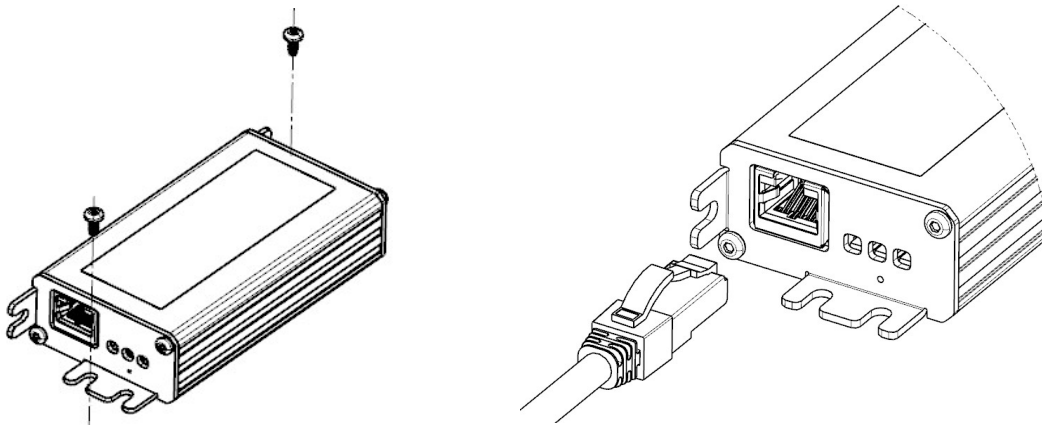
Molex is a registered trademark of Molex, LLC in the United States of America and may be registered in other countries; all other trademarks listed herein belong to their respective owners

INSTALLATION INSTRUCTIONS

Step 2. Snap in the wire harness male connector into the female connector as shown below to connect the CoreSync Bus as shown below. The CoreSync Bus harness must be comprised of 18 AWG stranded wire.

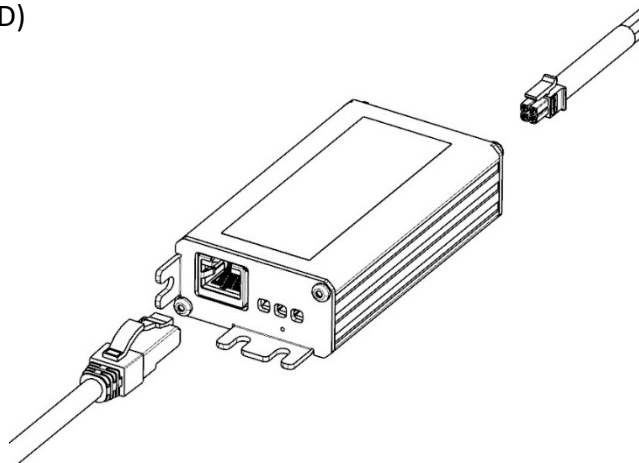


Step 3. Use #8 self-tapping screws to mount the 90W Gateway as shown below (Screws not provided). It is recommended that the Gateway is not connected to earth ground.



Molex is a registered trademark of Molex, LLC in the United States of America and may be registered in other countries; all other trademarks listed herein belong to their respective owners

Step 4. Make sure the CoreSync bus is connected before plugging in the PoE cable. Use CAT5E or CAT6 cable*. The maximum length of cable should not exceed 100 meters. (DO NOT CONNECT OR DISCONNECT CORESYNC BUS WHILE DEVICE IS POWERED)



**Please note the Power LED indicator will turn on once you have power. The LINK and ACTIVE indicators will blink on and off rapidly once you have network connection.*

3. Calculating Max Connected Devices

The IEEE 802.3bt standard guarantees up to 71.3W at the input of the Gateway. Using this number and the max power consumption of 3.1W for this Gateway, provides 68.2W of connected devices. This is the recommended wattage allocation for each Gateway. Please use individual data sheets of the connected devices in tandem with the CoreSync Harness Length Calculator to determine the maximum power consumption. For further details please refer to the CoreSync Academy Module “Device Layout & Design Overview”.

- LEGAL DISCLAIMER -

The author has made every attempt to ensure the accuracy and reliability of the information provided in this document. However, the information is provided "as is" without warranty of any kind. Molex does not accept any responsibility or liability for the accuracy, content, completeness, legality, or reliability of the information contained in this document.

This document is provided to you solely for your own personal use and may not be used for resale, distribution, public display or performance or other similar uses by you. The materials in this document as well as its photographs, images, layout, organization and design are copyrighted and are protected by worldwide copyright laws and treaty provisions. Trademarks, logos and service marks displayed on this site are registered and unregistered trademarks of Molex, its licensors or content providers, or other third parties. All of these materials, trademarks, logos and service marks are the property of their respective owners.

Molex Connected Enterprise Solutions 



Molex is a registered trademark of Molex, LLC in the United States of America and may be registered in other countries; all other trademarks listed herein belong to their respective owners

3 April 2024

©2023 Molex