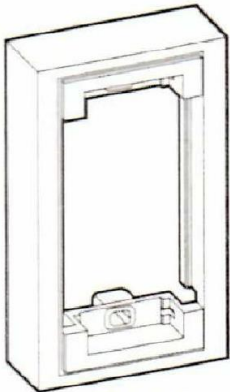
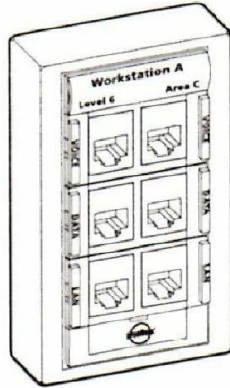


USO II SINGLE GANG BEZEL



USO II Bezel

Dimensions: 2.75"W x 4.5"H x 0.6"D
(70mm x 114mm x 15mm)



USO II Bezel (shown loaded)

Order No.

WUS-00001-0*

WUS-00003-0*

Description

USO II Single Gang Bezel - alpha icons

USO II Single Gang Bezel - telcom icons

Specify color by replacing the (*) with the following USO II Color Code:

1 = Almond, 2 = White, 4 = Black, 8 = Lt. Grey

Included Items

- Bezel
- Screw Covers
- Four #6 Mounting Screws
- Snapz™ Icon Tree
- Two Clear Label Holders
- Paper Labels

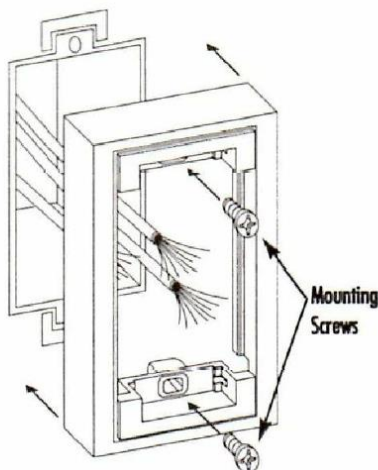


To reduce the risk of electrical shock, always disconnect all telephone lines from the wall outlets before servicing or disassembling this equipment. Installation is to be performed by qualified service personnel.

STEP 1

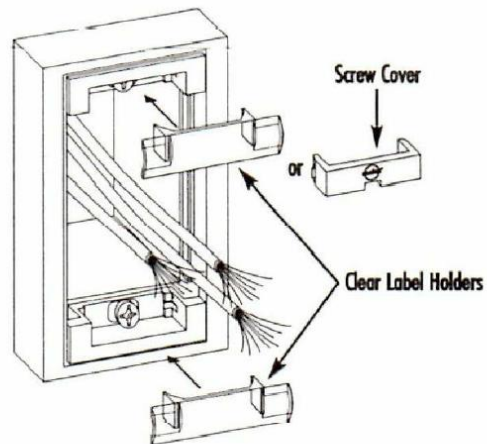
Attach the bezel to the wall box using the #6 screws provided.

Module punch down can occur before or after mounting the bezel to the wall box. Reference the Color Code Specifications on page two.



STEP 2

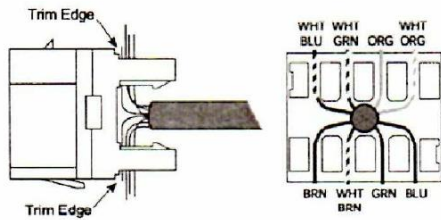
Snap the two screw covers (or clear label holder) into place as indicated.



ENGINEERING RECORD NO : 762606	SAP NO : 187000316	Doc No: 187000316	Doc part: AS	REV- A
http://www.molexcs.com				

STEP 3

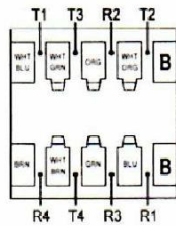
Route cable at a 90 degree angle to the back of the jack between the two sets of towers in the center of the jack. This maintains pair twist and reduces the risk of violating the bend radius specification.



Category 5E Color Code Specification

568B

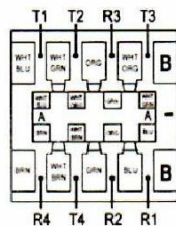
- T1 = White / Blue
- R1 = Blue
- T2 = White / Orange
- R2 = Orange
- T3 = White / Green
- R3 = Green
- T4 = White / Brown
- R4 = Brown



Follow color code printed on KATT Connectors

568A

- T1 = White / Blue
- R1 = Blue
- T2 = White / Orange
- R2 = Orange
- T3 = White / Green
- R3 = Green
- T4 = White / Brown
- R4 = Brown

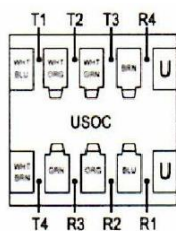


Follow color coded LABEL between KATT Connectors

USOC Color Code Specification

USOC

- T1 = White / Blue
- R1 = Blue
- T2 = White / Orange
- R2 = Orange
- T3 = White / Green
- R3 = Green
- T4 = White / Brown
- R4 = Brown

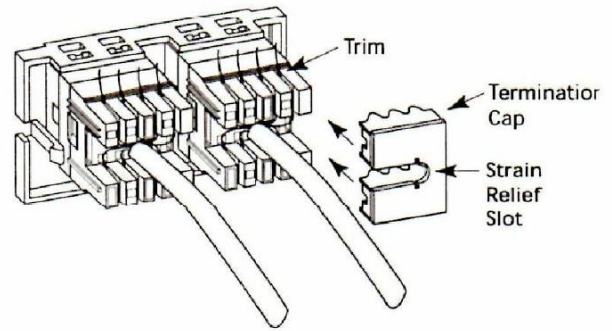


Follow color code printed on KATT Connectors

For 6W USOC
Omit T4/R4 (Brown)

STEP 4

Place all wires into their corresponding colors on the jack, according to the Color Code Specifications working from the center towers (orange and green) to the outside towers. Pull the conductors into the contact, by hand.



STEP 5

Terminate using the DataGate Termination Cap. Press the cap onto the connectors, seat the cable in the strain relief slot in the termination cap, and trim excess wires using wire cutters.

Alternately, you may terminate the wires using an IDC punch down tool.

STEP 6

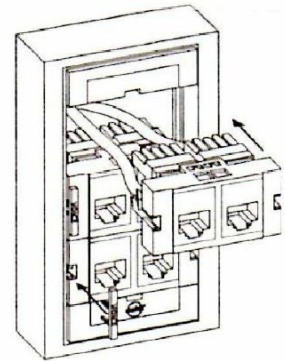
Snap modules into the USO II bezel (jack latch facing down).

INSTALLER'S NOTE:

Make sure the USO II Modules are securely snapped into the bezel.

STEP 7

For BNC and Video Modules:
These fittings are for tele/data communication circuits with voltages <30V Rms (42.4V P-P) and 100µ amps maximum current.



Detach appropriate labels from the Snapz™

Icon Tree and snap into modules where required for port identification.



Alpha Icons



Tekom Icons