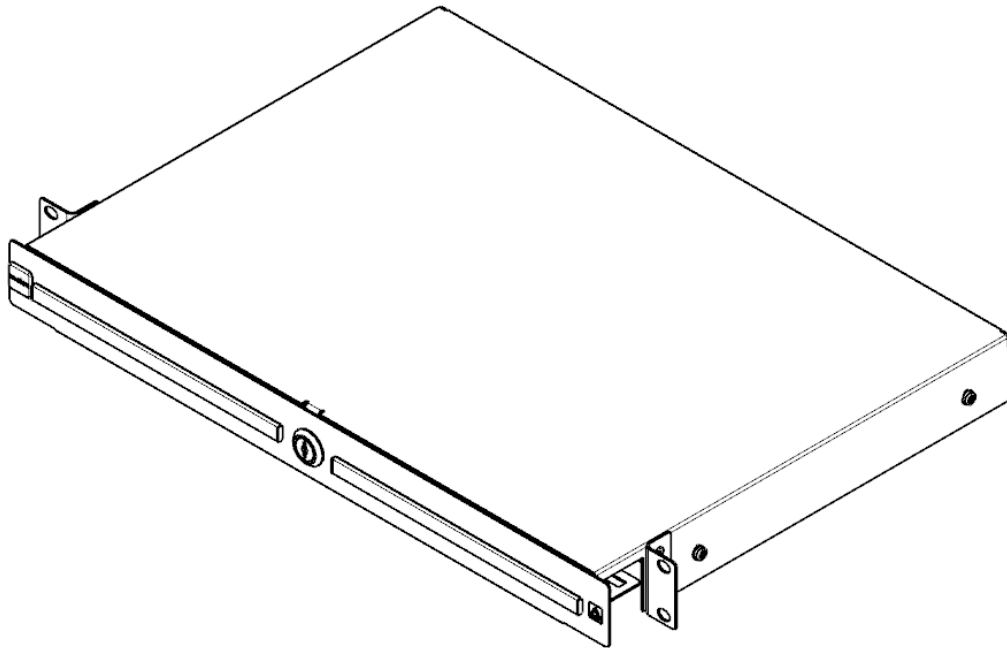


1U 24 PORT CONFIGURABLE FIBER SLIDING DRAWER LOCKABLE-UNLOADED

WARNING: Improper use of this product or failure to follow these instructions may result in equipment Damage and personal injury. Read and understand all instructions for proper installation and use of this product.

**1.0 SCOPE**

This document will provide installation instructions of the 1U 24 port configurable fiber sliding drawer lockable-unloaded.

2.0 PRODUCT DESCRIPTION

The 24P FMS termination drawer is a 1U configurable rack mount unit for storing and terminating incoming fiber cable. The front of the drawer slides open to reveal a recessed configurable patch panel that accepts up to four 6-pak adapter plates the 24P FMS comes with a keyed lock, to provide a compact, secure termination drawer.

3.0 PROCEDURE**3.0.1 Open/close slide drawer (Fig.1)**

- Release the plunger from grommet.
- Use even pressure on both the right and left side to pull and push the cover.
- Slide cover out to its point of full extension.

ENGINEERING RECORD NO : 705558	SAP NO : 187000548	Doc No: 187000548	Doc part: AS	REV-B
http://www.molexces.com				

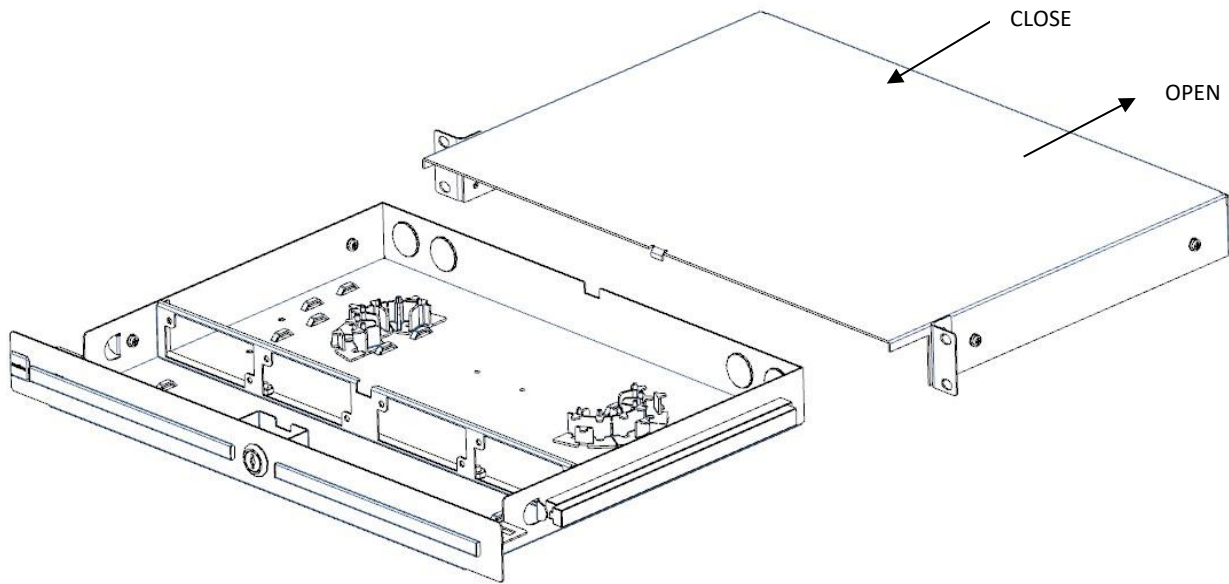


Fig.1

3.0.2 Installation of cable management hubs & adapter plate multi media panel (Fig. 2).

- Cable management hub to be split into 2 halves.
- Cable management hubs & adapter plate multi media are secured onto the studs at position using Keps nuts tightened by a suitable magnetic nut driver.

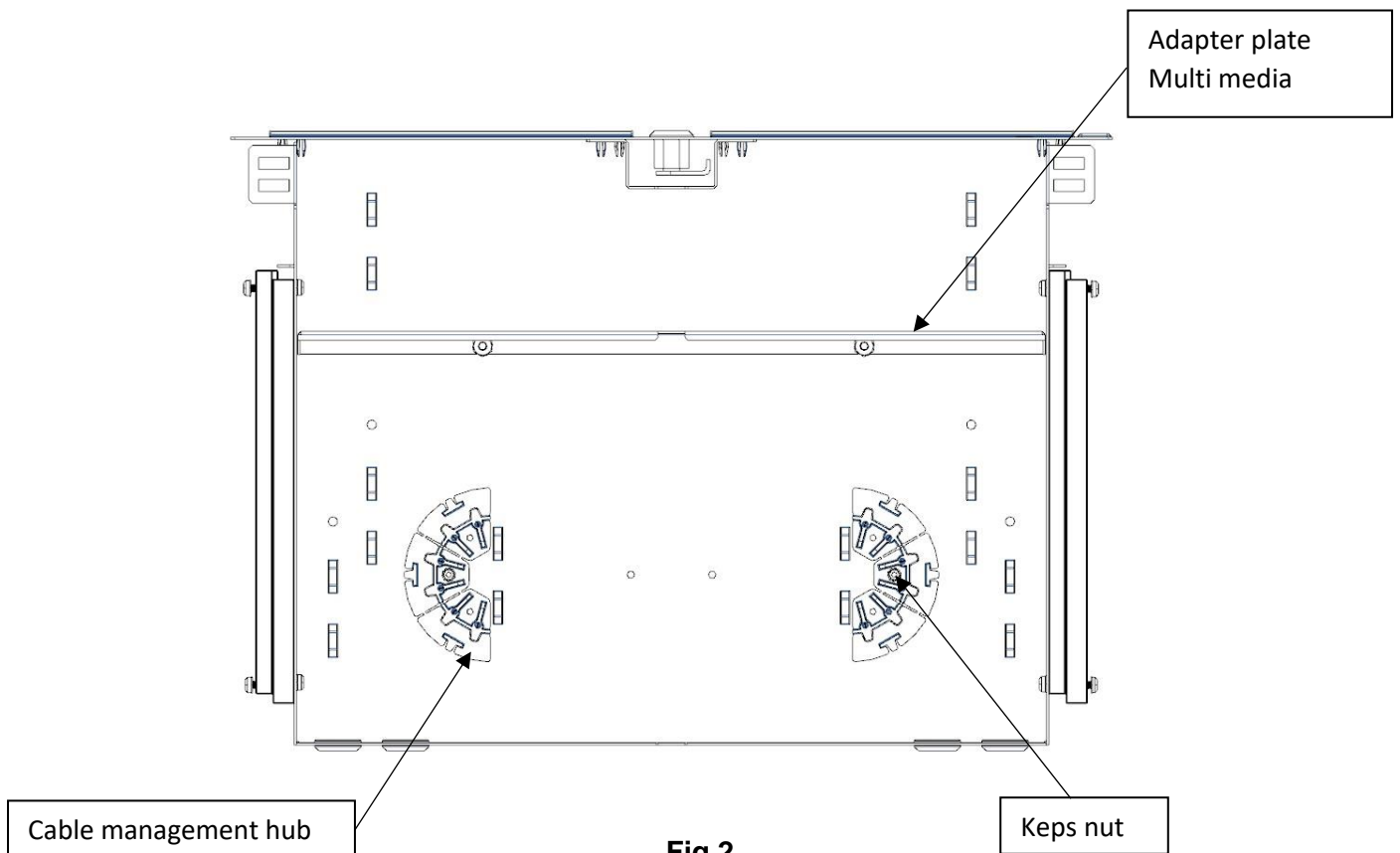


Fig.2

3.0.3 Back Cable Entry & Retention (Fig. 3)

- Cables can enter in back side of the enclosure.
- Secure cables with hook and loop fastener straps or cable ties to the strain relief / tie off feature.

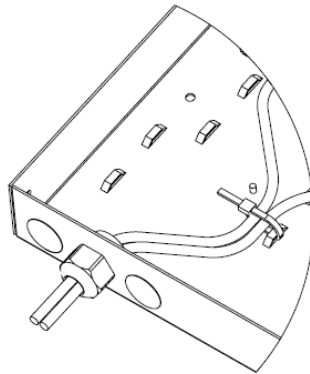


Fig. 3

CAUTION: Molex recommends wearing safety glasses When cutting fiber optic cable.

3.0.4 Installing Fiber Adapter Plates (Fig. 4)

- Up to 4 fiber 6 pack adapter plates can be installed in the base drawer.
- Adapter plates utilize corner retention push pins when pulled upon two corner fasteners.
- Position the fiber adapter plate in the appropriate location within the base drawer and push the two corner fasteners gently back until they will go no further.

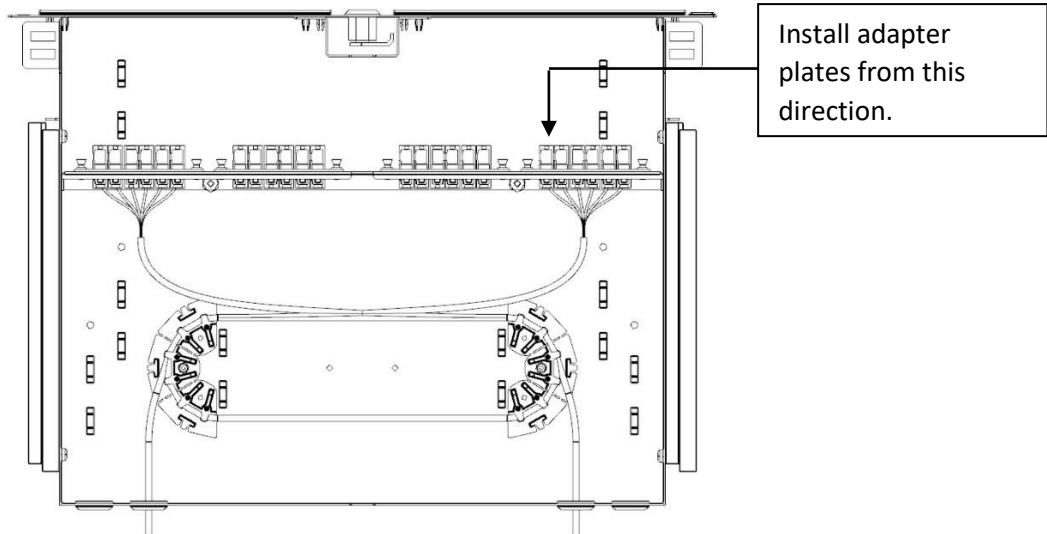


Fig.4

(Product images are shown for reference purposes only).

WARNING:

1. Never look into the connector of MTP assembly or terminated fiber. Laser light may be present and is invisible. Serious eye damage is possible.
2. In the entire cases test the drawer after the fiber is secured to verify the drawer can open and close without restriction.

WARNING:

Dust caps should be left intact on all adapters not in use. Never look into an open adapter as laser light may be present and is invisible. Serious eye damage is possible.