

### PAN 1U 24P C6 UTP MIIM G3 C6 JACK LDD WITHOUT CONTROL-UNIT/WITH CONTROL-UNIT



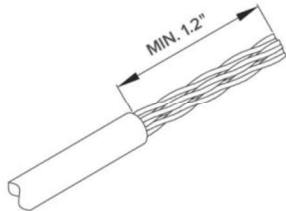
#### 1.0 SCOPE

This document will describe the installation instructions for **PAN 1U 24P C6 UTP MIIM G3 LDD WITHOUT CONTROL UNIT & WITH CONTROL UNIT & C6 JACK.**

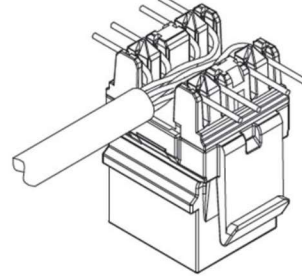
#### 2.0 PROCEDURE:

##### 2.1 TERMINATION PROCEDURE OF KEYSTONE JACK C6 UTP MIIM G3.

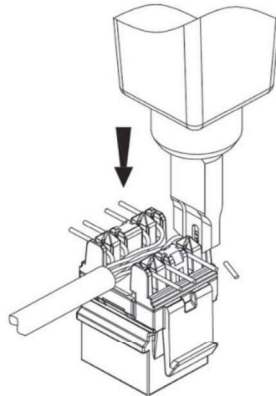
**Step 1:** Strip off at least 1.2 inches (30.48mm) of jacket from end of cable.



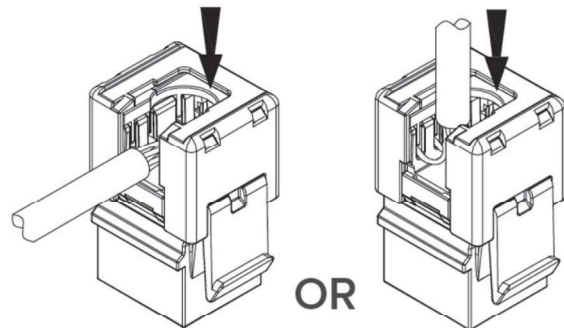
**Step 2:** Press the wires through the projecting portion of terminals until fixed.



**Step 3:** Terminate wires with Punch Down tool. Make sure the tool cuts off the excess wires.



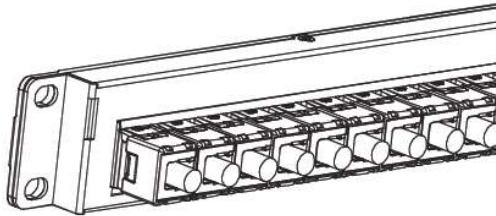
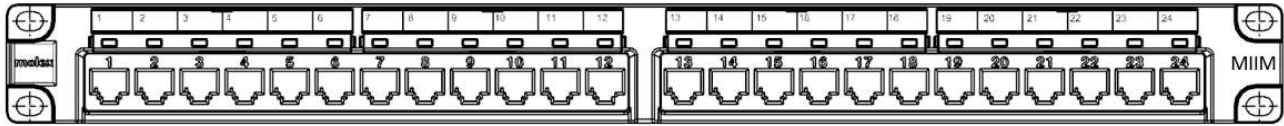
**Step 4:** Place cap on jack and press to make sure it is fully seated. The cap opening allows the cable enters the jack from side or rear.



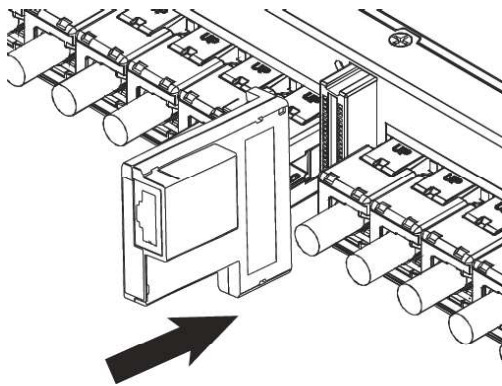
ENGINEERING RECORD NO : 615092	SAP NO : 187000526	Doc No: 187000526 Doc part: AS	REV- B
<a href="http://www.molex.com/">http://www.molex.com/</a>		DATE: 2019/APR/09	

## 2.2 : COPPER PANEL PROCEDURE

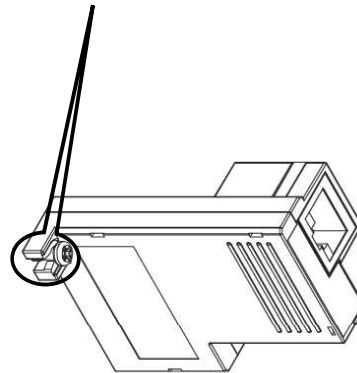
**Step 1:** Load the Molex 24port RJ45 19" smart ready panel with Molex smart keystone jacks on unloaded panel.



**Step 2:** Connect the “Control unit” at backside of the panel as shown and secure it with the provided screws.



Secured the “Control Unit” with screws



**Step 3:** Picture of final MIIM Copper panel product ready for use.

