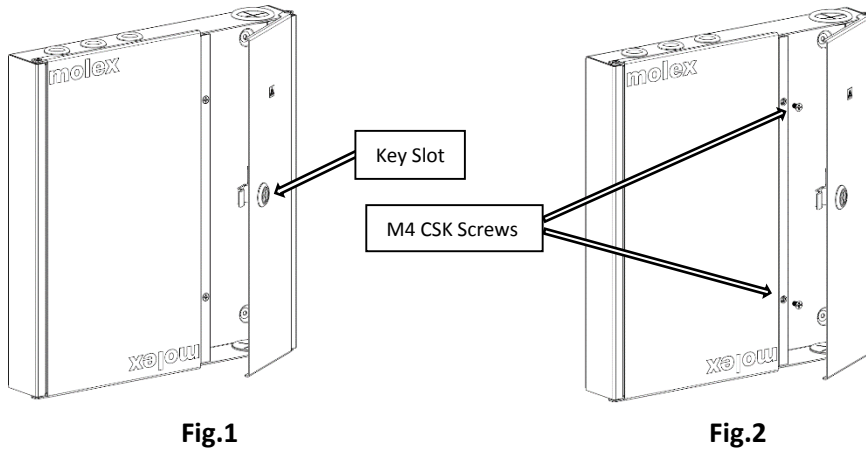


SECURED WALL MOUNT FIBER ENCLOSURE DSC/QLC UNLDD

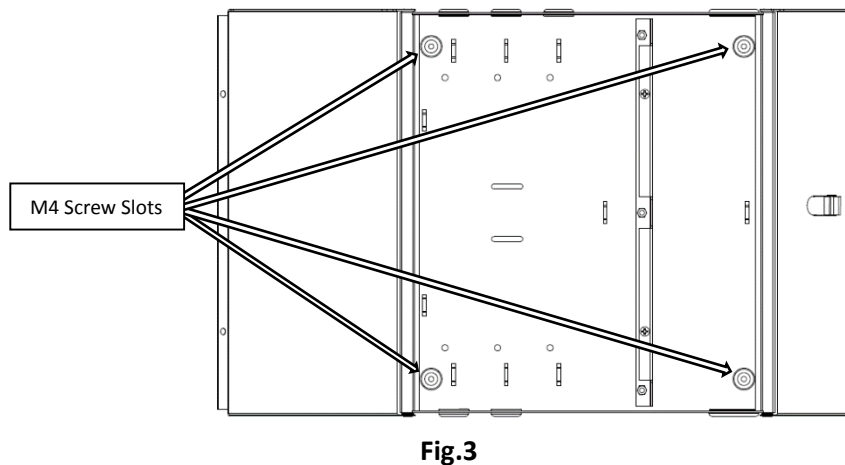


1. DIRECTION BELOW APPLY SPECIFICALLY TO THE ENCLOSURE

- Open the Locked Door by using lock key (Fig.1).
- Open the second Door by removing M4 CSK screws (Fig.2).



- Mount the Enclosure into the Rack by using 4 no.'s of M4x16mm mounting screws, M4 Hex Nut and Washers. (Items are included in the accessory kit.) (Fig.3).



- Place Duplex SC/Quad LC fiber snap mount adapters into the adapter plate as shown (Fig.4) and for Flange mount adapter fix, adapter plate needs to remove from enclosure and Fix the Flange adapters with screws. loaded adapter plate place into the enclosure, (Note: Adapters are need to be order separately)

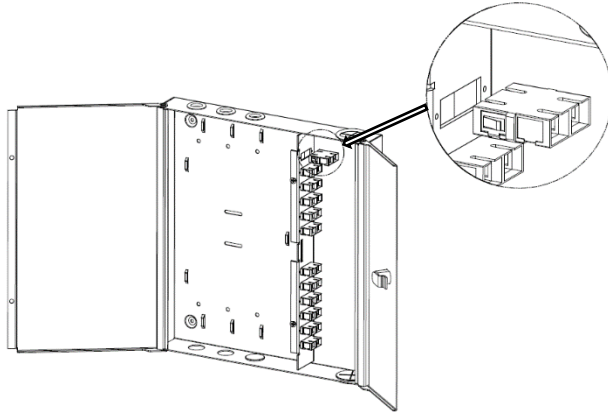


Fig.4

- Place Splice tray on the Enclosure base and fasten by using 2 no's of M3x35mm Screws and M3 hex nut. (Note:- Splice tray need to be order separately) (Screws and nuts are included in the accessory kit.) (Fig.5).
- Fasten Strain relief clamps on the enclosure base where the cables are entering. (Strain relief kits are included in the accessory kit.) (Fig.6)
- Cables can enter the top or bottom of the fiber enclosure. Select which input direction is most suitable to the application, Place cable gland and introduce the cable to the enclosure. (Fig.7)
- Using the supplied tie wraps secure the input cable to the cable tie down bridge.
- Fix patch cords and pigtails into the adapter. (Fig.7)

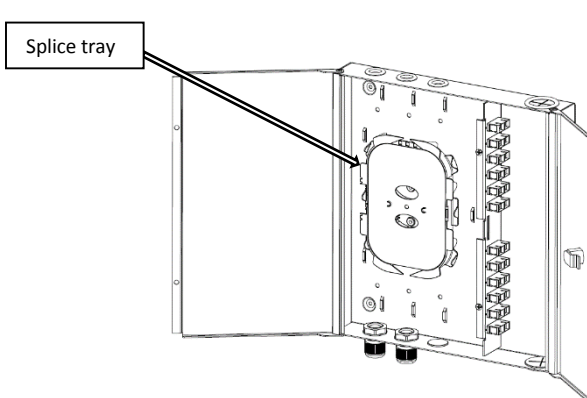


Fig.5

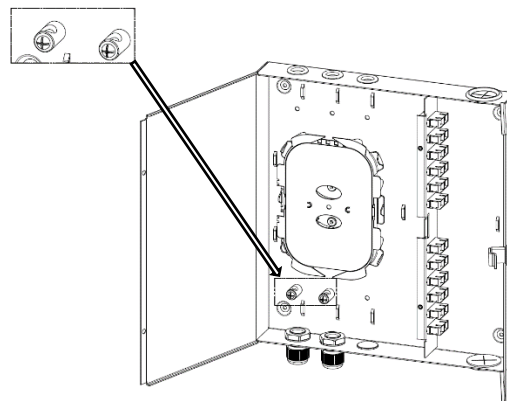


Fig.6

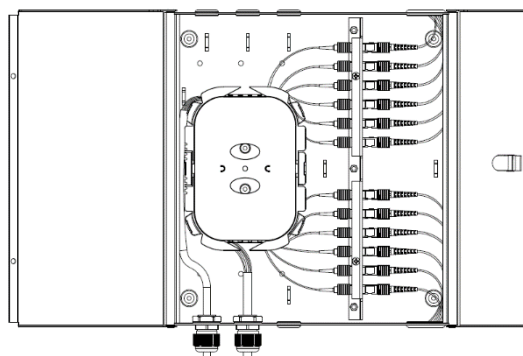


Fig.7

- **CAUTION:** Molex recommends wearing safety glasses When cutting fiber optic cable.
- Armored Cable Grounding, Armored fiber optic cable metal sheaths may be terminated on the integral pem studs (one on each side at the point of entry). A copper grounding nut is included in the Accessory Kit. For proper grounding practices refer to ANSI/J-STD607-A grounding standard.