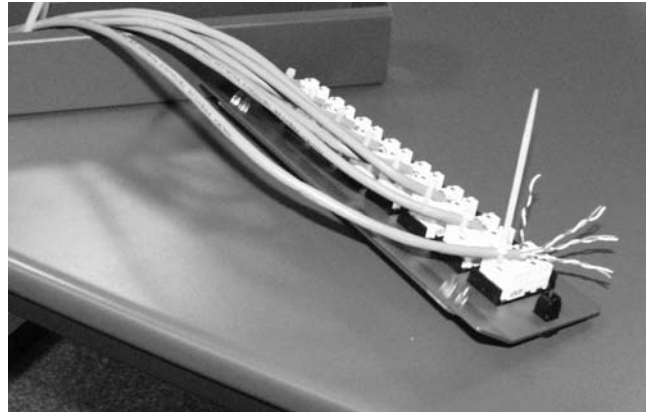


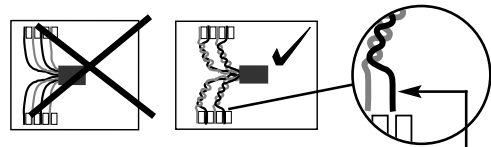
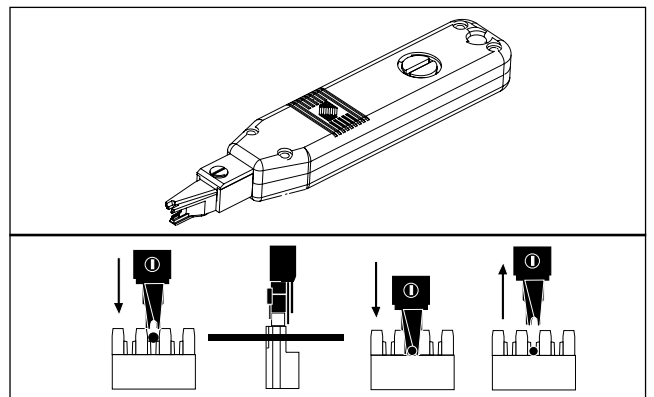
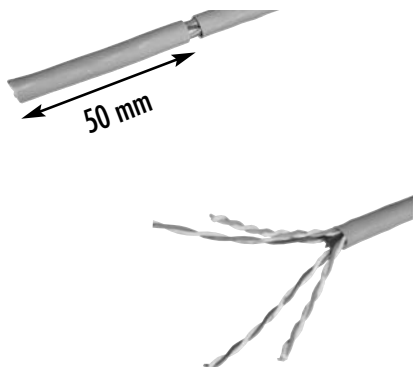
1. Bring cable into enclosure and secure loosely with cable ties



2. Termination



2a. Cable Preparation



Cat 5e Untwist - Max 13mm

MOLEX PREMISE NETWORKS

Molex Premise Networks  
Corporate Headquarters  
Tel: 1 866 733 6659  
www.molexpn.com

European  
Headquarters  
Tel: 44 (0) 1489 572111  
www.molexpn.co.uk

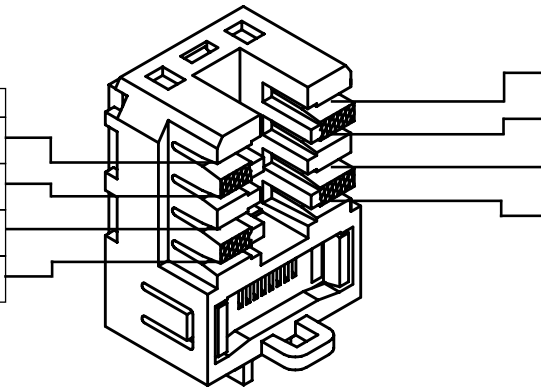
Pac Rim  
Headquarters  
Tel: 61 3 9971 7111  
www.molexpn.com.au

Molex  
Incorporated  
Tel: 630 969 4550  
www.molex.com

©2004, Molex Premise Networks Printed in the UK Form# 315-169 Issue 2

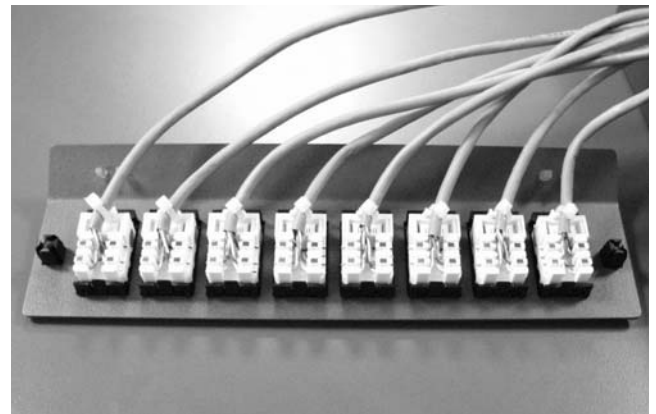
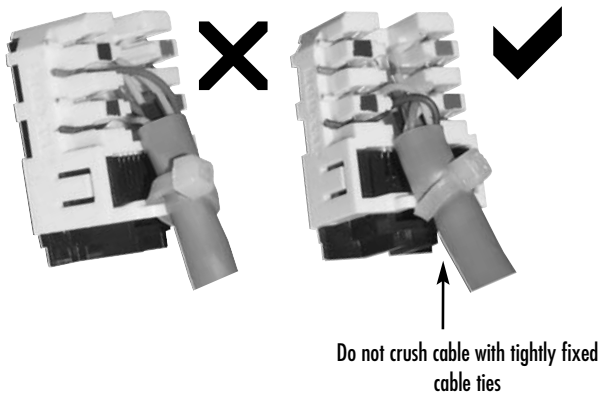
**2b. Termination Sequence**

GB	FI	FR	D	SW
white / blue	valkoinen / sininen	blanc / bleu	weiß / blau	vit / blå
blue / white	sininen / valkoinen	bleu / blanc	blau / weiß	blå / vit
white / brown	valkoinen / ruskea	blanc / marron	weiß / braun	vit / brun
brown / white	ruskea / valkoinen	marron / blanc	braun / weiß	brun / vit

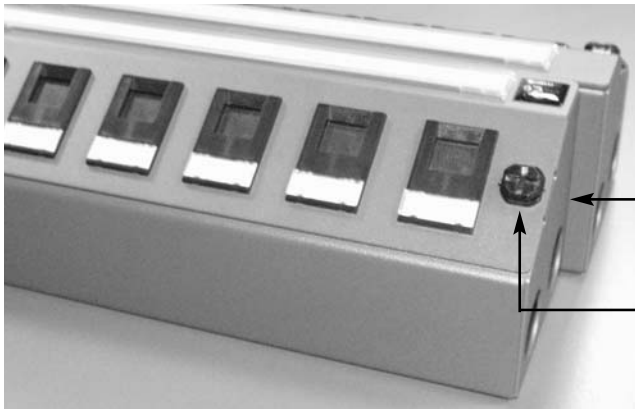


GB	FI	FR	D	SW
white / green	valkoinen / vihreä	blanc / vert	weiß / grün	vit / grön
green / white	vihreä / valkoinen	vert / blanc	grün / weiß	grön / vit
white / orange	valkoinen / oranssi	blanc / orange	weiß / orange	vit / orange
orange / white	oranssi / valkoinen	orange / blanc	orange / weiß	orange / vit

**2c. Fixing Cables**



**3. Connecting Consolidation Point Enclosures**



Connect latching features on rear of enclosure and push together to align.

Fit cover by locating the snap-fit fasteners, turn through 45° and push firmly they snap shut.

**4. Ensure that the cable is protected by the grommets provided.**

