

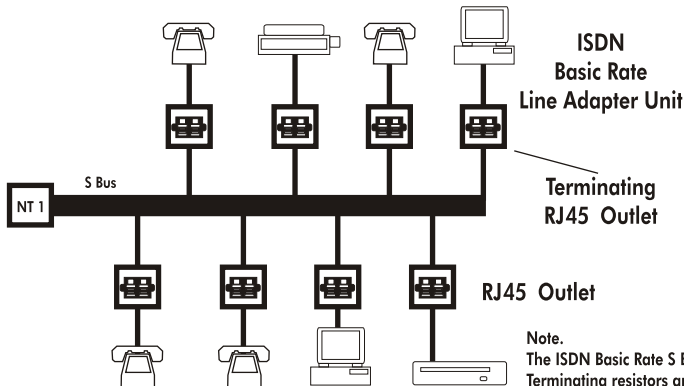
INSTALLATION INSTRUCTIONS



ISDN Line Adapter Unit

The ISDN Line Adapter Unit should be installed at the last Wall Outlet on the ISDN Basic Rate S Bus.

Multiple Device Solution



Note.

The ISDN Basic Rate S Bus can accommodate up to 8 ISDN devices. Terminating resistors are connected between pins 4 & 5 and 3 & 6.

MOLEX PREMISE NETWORKS

**Molex Premise Networks
Corporate Headquarters**

Tel: 603 324 0200

www.molexpn.com

**Western Europe
Headquarters**

Tel: 44 (0) 1489 572111

www.molexpn.co.uk

**Eastern Europe
Headquarters**

Tel: 48 22 518 00 30

www.molexpn.com.pl

**South Pacific
Headquarters**

Tel: 613 9971 7111

www.molexpn.com.au

Molex Incorporated

Tel: 630 969 4550

www.molex.com

INSTALLATION INSTRUCTIONS



ISDN Line Adapter Unit

