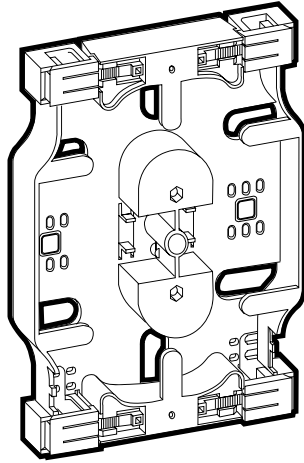


Splice Tray (covered)



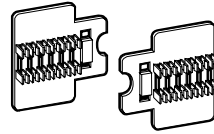
Splice Tray (open)

Order No.
AFR-00001

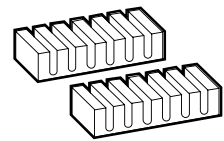
Description
Universal Splice Tray

Included Items

- Splice Tray with Cover
- 2 Fusion Splice Sleeves
- 2 Mechanical Splice Sleeves
- Splice Identification Label



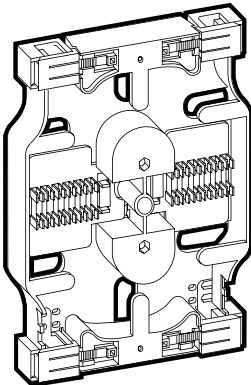
Fusion Splice Sleeves



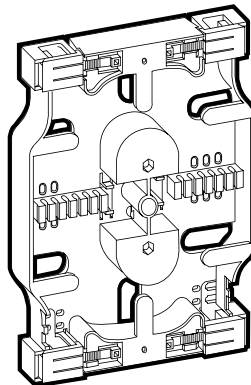
Mechanical Splice Sleeves

STEP 1

The Universal Splice Tray includes two fusion splice sleeves and two mechanical splice sleeves. Determine which of the two are required for your application and install them into the splice tray as shown. The fusion splice sleeve snaps into position; the mechanical splice sleeve is adhesive-backed.



Splice Tray with Fusion Splice Sleeves

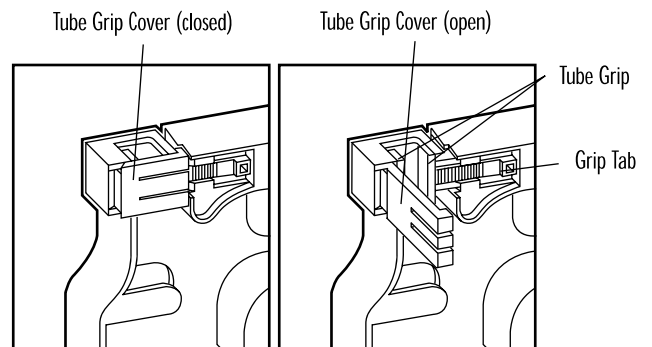


Splice Tray with Mechanical Splice Sleeves

STEP 2

Strip two feet of the loose tube, exposing the bare fiber. Thoroughly clean any gel from the fibers. Secure the loose tube to the splice tray holder using the integral tube grips located at each corner of the tray. To do this

- Lift the cover of the grip
- Lay the cable in the opening
- Close the cover
- Slide the grip tab toward the loose tube until snug, but not over-compressed. If you over-tighten the grip, simply lift the cover and slide the grip tab back.



MOLEX PREMISE NETWORKS

Corporate Headquarters
Tel: +1 603 324 0200
www.molexpn.com

Western Europe Headquarters
Tel: +44 (0) 1489 572111
www.molexpn.co.uk

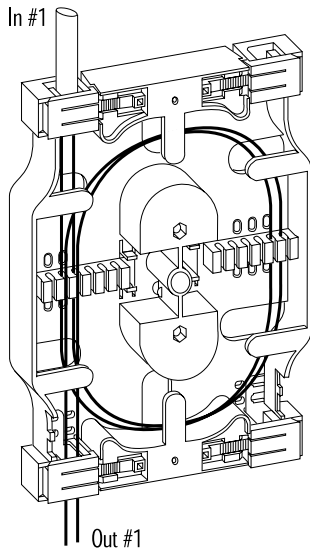
Eastern Europe Headquarters
Tel: +48 58 532 8 200
www.molexpn.com.pl

Pac-Rim Headquarters
Tel: +61 3 9971 7111
www.molexpn.com.au



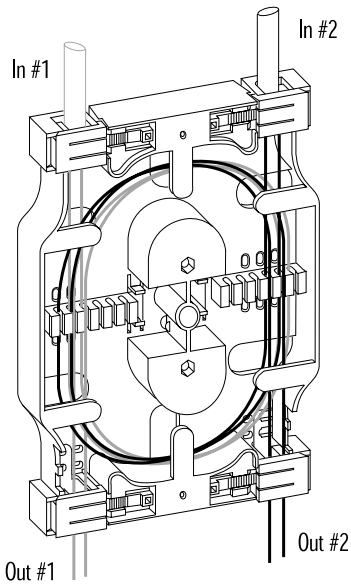
STEP 3

Lay 1 1/2 loops of cleaned fiber in the bottom of the splice tray, as indicated. Make sure there are no severe bends or kinks in the fiber.



STEP 4

Prepare the second group of incoming cables in the same manner as the first, mounting it on the opposite side of the tray. Route outgoing pigtails through the opposite side of the tray. See Illustration.



STEP 5

There is now enough fiber in the tray to make splices and leave at least one complete loop of fiber in the tray. Proceed with the splices. Before each splice is done, determine which slot in the splice sleeve the finished splice will occupy and trim the fiber to the proper length.

STEP 6

When all the splices are completed, lift the tray and gently install the cover. Place the splice identification label on the cover and write in information as required.

STEP 7

Place the splice tray into the holder, and route the slack cable through the cable management rings in the splice cabinet.

