

## IS - Data Gate UTP Jack and Module Installation

### 1.0 Scope

This document provides installation instructions for Molex Power Cat Category 6 UTP Jack and module.

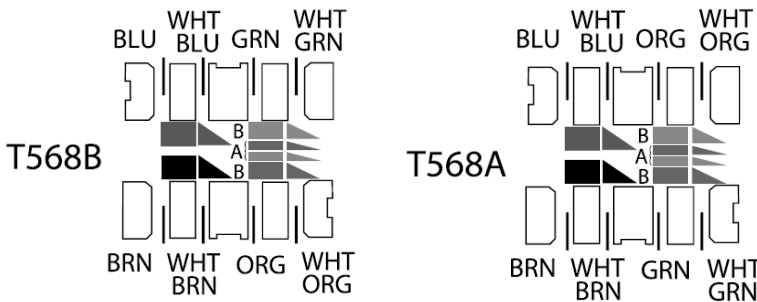
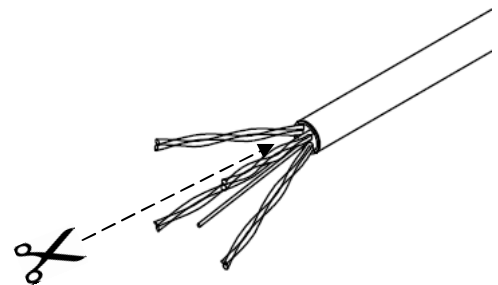
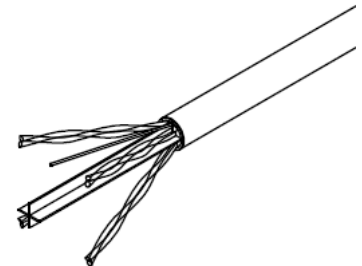
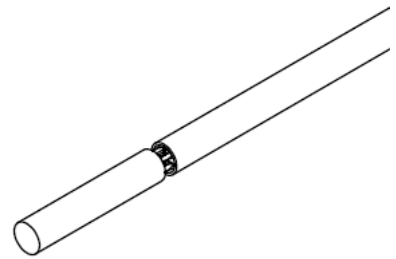
### 2.0 Procedure

#### 2.1 Tools required:

- 110 Punch Down Tool set on low impact OR
- Molex 4 Pair Termination Tool and
- Cable Stripper

#### 2.2 U/UTP Cable Preparation and termination:

1. Remove 50mm (2") of cable sheath with cable stripper.
2. Cut the central spline back to the cable sheath of C6 cable, leaving the 4 twisted pairs.
3. Terminate the individual wires with the 110 Termination Tool to the Data Gate Jack IDT following the wire color coding schematic on the jack OR
4. Follow the instructions for 4 pair termination contained in the packaging of the 4 Pair Termination Tool.
5. Ensure that the cable remains untwisted up to the IDT.



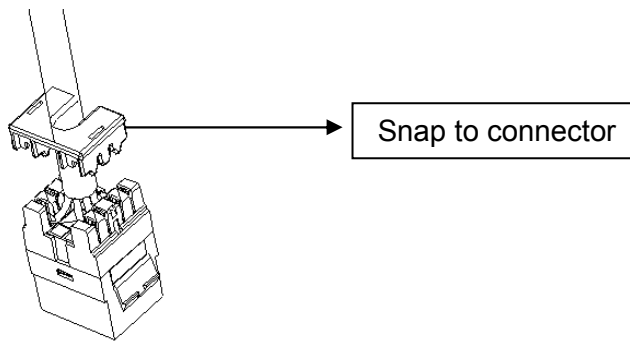
**COLOR CODE SCHEMATIC**

MPN NO.	SAP NO.
215-407	187000399

REVISION: <b>A1</b>	ECR/ECN INFORMATION: EC No: <b>MTS2013-0071</b> DATE: <b>2013 / 07 / 16</b>	TITLE: <b>IS - DATA GATE UTP JACK AND MODULE INSTALLATION</b>	SHEET No. <b>1 of 4</b>
DOCUMENT NUMBER: <b>AS-18700-093</b>	CREATED / REVISED BY: <b>SNAGARAVENKA</b>	CHECKED BY: <b>BJ MAHENDRA</b>	APPROVED BY: <b>DURAN, JIM</b>

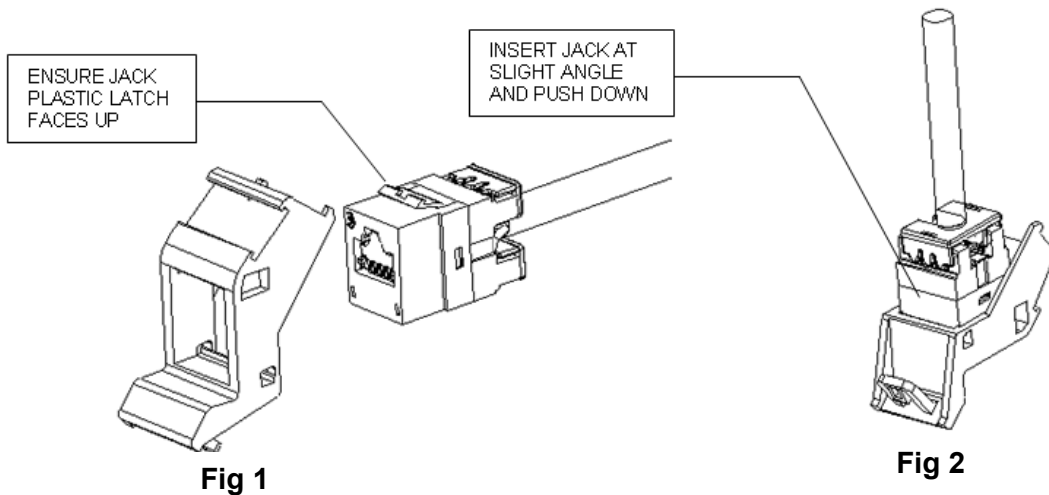
### 2.3 Cable Strain Relief:

Fit cable strain relief stuffer cap to the IDT ensuring that the “U” shape cut-out follows the direction of the incoming cable.



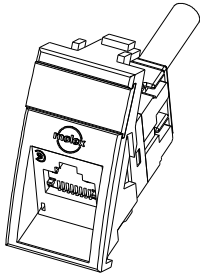
### 2.4 To Assemble Data Gate Jack to Fascia:

1. Orientate the jack such that the latch of the jack is facing upward see Fig 1
2. Slide jack into fascia port opening at a slight angle (Fig 2)
3. Insert the jack latches into the base of the fascia
4. Snap jack into the fascia by pushing and engaging the latches at the top of the jack into the fascia. An audible “click” can be heard and the jack should be flush with the fascia port opening and should be fixed securely.

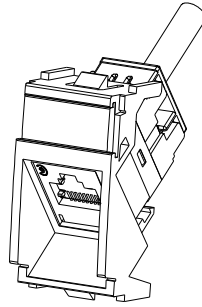


MPN NO.	SAP NO.
215-407	187000399

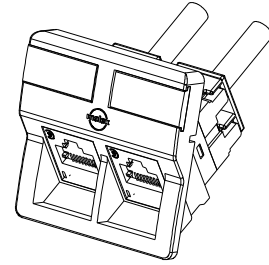
REVISION: <b>A1</b>	ECR/ECN INFORMATION: EC No: <b>MTS2013-0071</b> DATE: <b>2013 / 07 / 16</b>	TITLE: <b>IS - DATA GATE UTP JACK AND MODULE INSTALLATION</b>	SHEET No. <b>2 of 4</b>
DOCUMENT NUMBER: <b>AS-18700-093</b>	CREATED / REVISED BY: <b>SNAGARAVENKA</b>	CHECKED BY: <b>BJ MAHENDRA</b>	APPROVED BY: <b>DURAN, JIM</b>



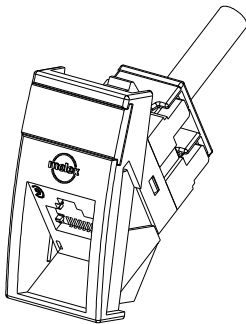
**Bticino**



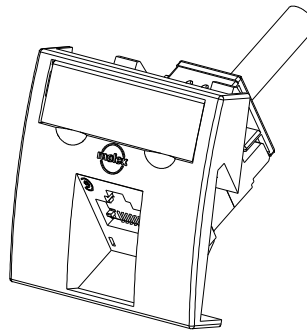
**Vimar**



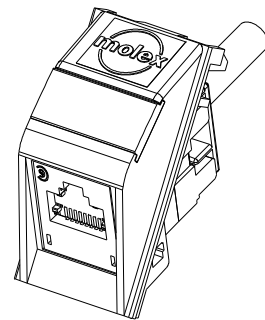
**DIN Module**



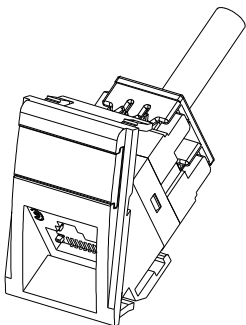
**22.5 X 45 mm module**



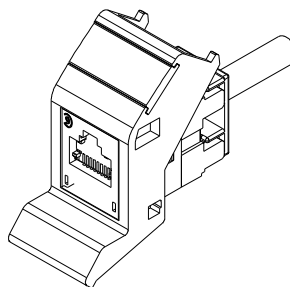
**45 X 45 mm module**



**Euromod II Module**



**Mod Snap III**



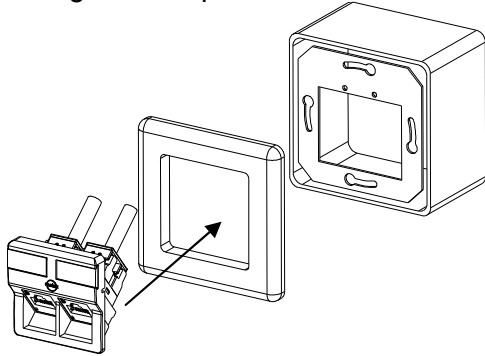
**Contura module**

MPN NO.	SAP NO.
215-407	187000399

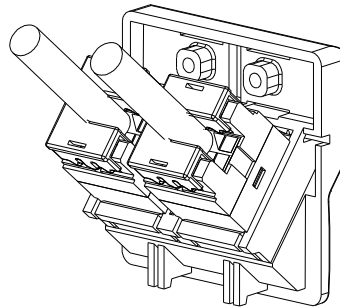
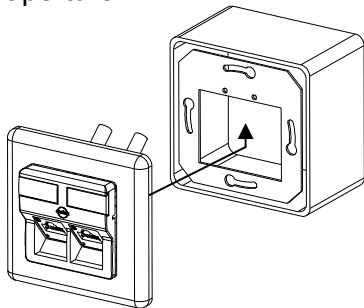
REVISION: <b>A1</b>	ECR/ECN INFORMATION: EC No: <b>MTS2013-0071</b> DATE: <b>2013 / 07 / 16</b>	TITLE: <b>IS - DATA GATE UTP JACK AND MODULE INSTALLATION</b>	SHEET No. <b>3 of 4</b>
DOCUMENT NUMBER: <b>AS-18700-093</b>	CREATED / REVISED BY: <b>SNAGARAVENKA</b>	CHECKED BY: <b>BJ MAHENDRA</b>	APPROVED BY: <b>DURAN, JIM</b>

## 2.5 Fitting DIN Modules into wall plate:

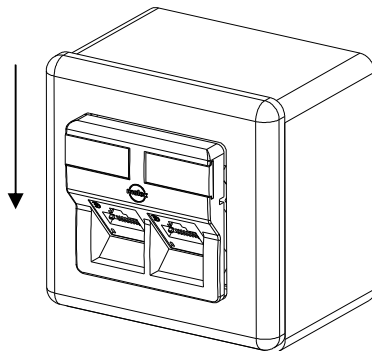
### 1. Fitting the wall plate



### 2. Insert wall plate through the grid plate and push up. This will allow clips to fit through the grid plate aperture.



### 3. Push wall plate down to fit into final position.



Wall plate rear clips must be positioned over the grid - plate.

MPN NO.	SAP NO.
215-407	187000399

REVISION: <b>A1</b>	ECR/ECN INFORMATION: EC No: <b>MTS2013-0071</b> DATE: <b>2013 / 07 / 16</b>	TITLE: <b>IS - DATA GATE UTP JACK AND MODULE INSTALLATION</b>	SHEET No. <b>4 of 4</b>
DOCUMENT NUMBER: <b>AS-18700-093</b>	CREATED / REVISED BY: <b>SNAGARAVENKA</b>	CHECKED BY: <b>BJ MAHENDRA</b>	APPROVED BY: <b>DURAN, JIM</b>