

## SYNERGY WALL PLATES INSTALLATION INSTRUCTION

### 1.0 SCOPE

This document will describe the installation instructions for Synergy 1P, 2P and 4P wall plates.

### 2.0 PROCEDURES

#### 2.1 ASSEMBLY INSTRUCTIONS

##### 2.1.1 ASSEMBLY INSTRUCTIONS FOR THE WALL PLATES (FIG. 1, 2, &4):

1. Hold the wall plate so the arrow on the base is pointing up. (Refer Figure 1).
2. Install the jack from the back of the wall plates - engage the latch at the bottom of jack with the latches provide in the Wall plate jack holder and press it until you get click sound (Figure 2.)
3. Mount the wall plate using screws. (Figure 3.)
4. Insert the label and the Clear label holder into the label holder slots given and Insert Molex Screw Cover in the slot as shown below (Figure 4.)
5. Snap off the icons from the icon tree and press the legs on the back of the icon into the screwdriver slots adjacent to the Jack.
6. Similar installation instruction applicable for 2 Port and 4 Port wall plates.

### SYNERGY WALLPLATE 1 PORT:

Figure 1.

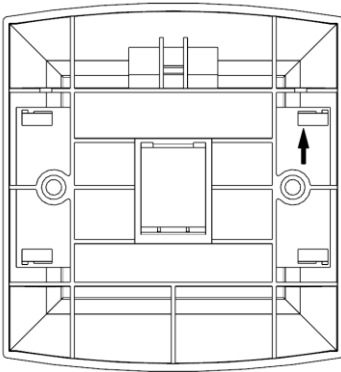


Figure 2.

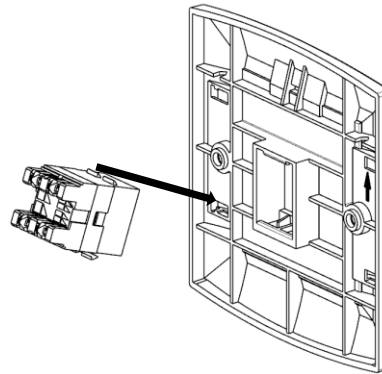


Figure 3.

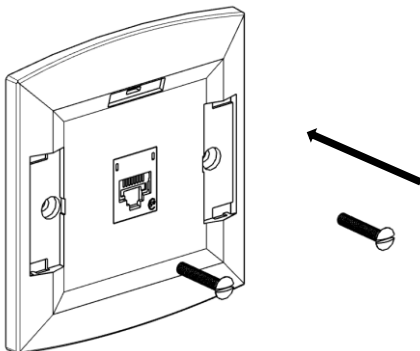
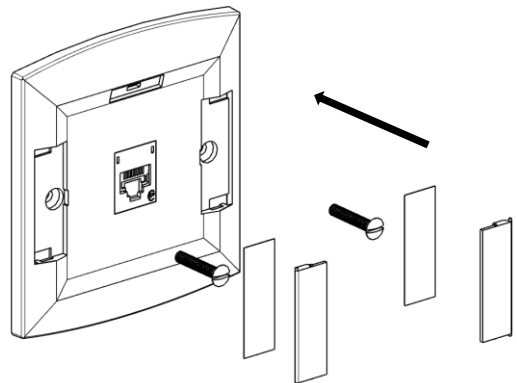
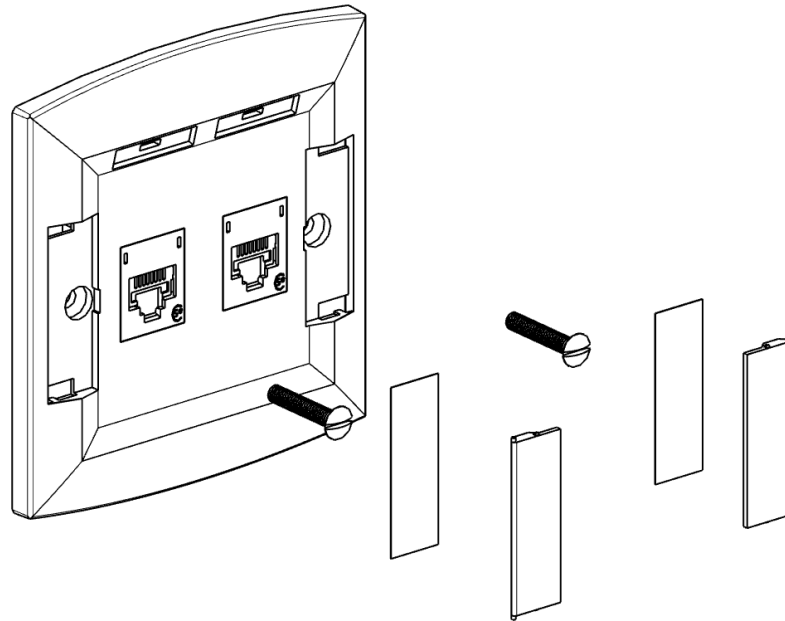


Figure 4.



**SYNERGY WALLPLATE 2 PORTS:**



**SYNERGY WALLPLATE 4 PORTS:**

