

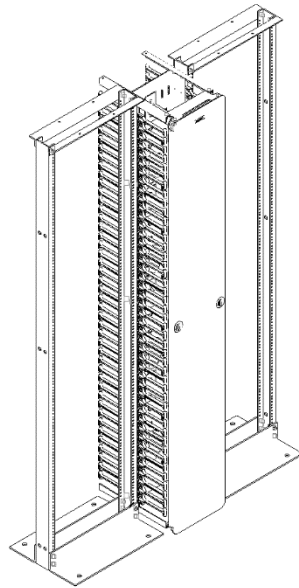


Vertical Rack Cable Manager

1.0 SCOPE

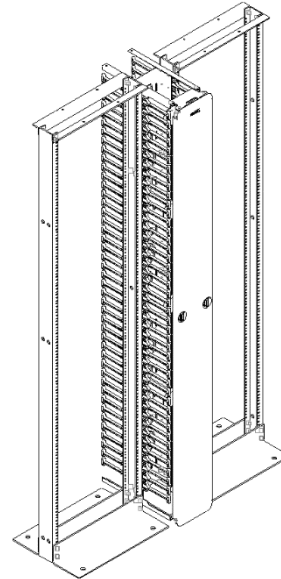
This document provides the installation instructions of Vertical Rack Cable Manager.

2.0 PRODUCT DESCRIPTION



12" VRCM

(CMA-00083)



8" VRCM

(CMA-00084)

3.0 PROCEDURE

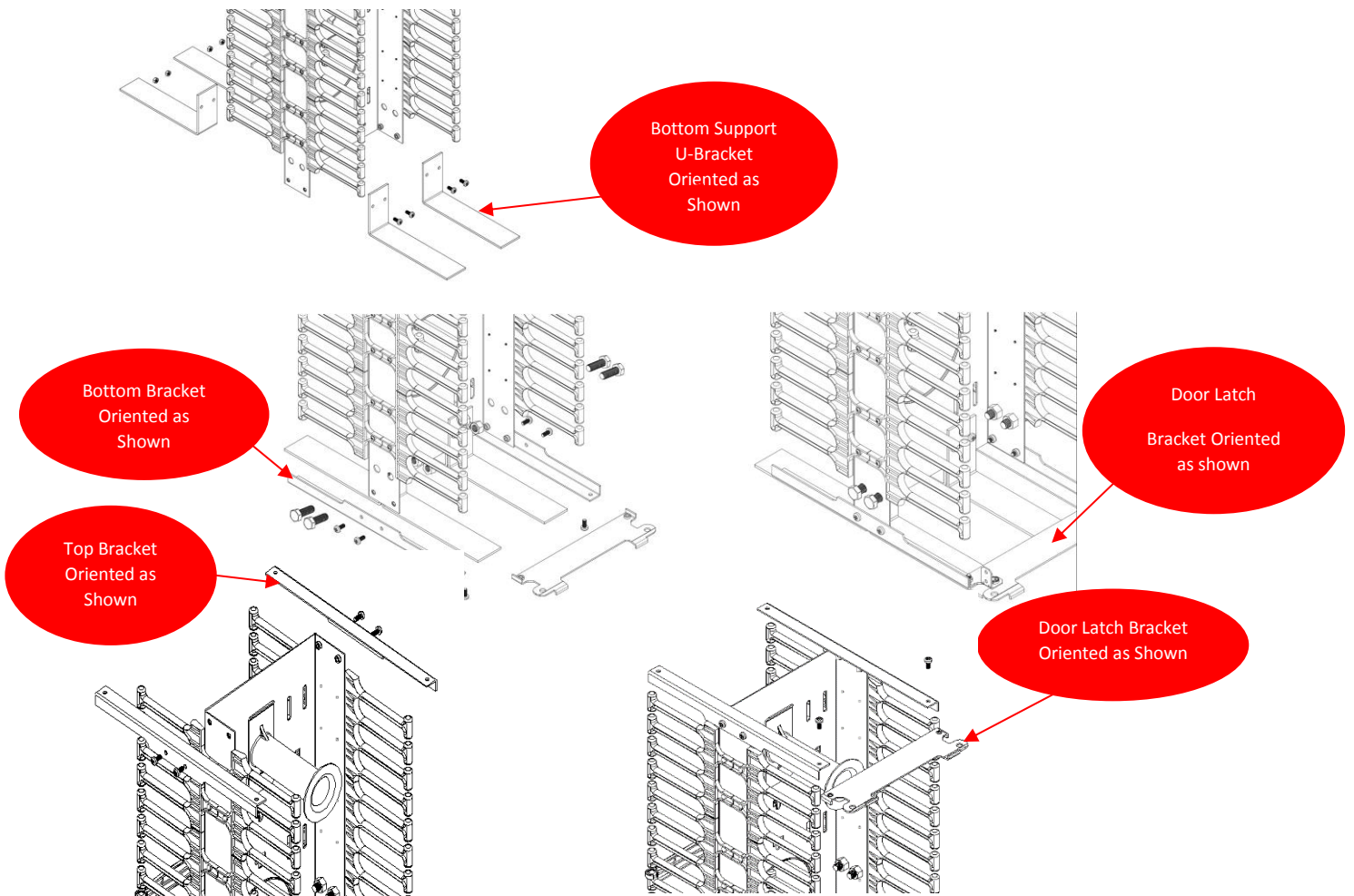
1. Parts List for Vertical Rack Cable Manager

- a. Pre-Assembled Vertical Rack Manager Frame x 1 Pc
- b. Door Assembly x 1 Pc
- c. Door Latch Bracket x 2 Pc (May be packed with the door)
- d. Fast Click Cable Management Spools X 4 Pc
- e. Top / Bottom Bracket x 4 Pc (nil separately if these are pre-assembled to VRM)
- f. M12 x 35mm Screw x 8 Pc
- g. M12 Nut x 8 Pc
- h. Panel Tie Downs – Velcro x 10 Pc
- i. Cable Ties 100x2.5mm x 40 Pc
- j. Cable Retainers x 4 Pc
- k. Bottom Support U-Bracket 4 Pc. (nil separately if these are pre-assembled to VRM)
- l. M6 X 14mm PPH Screw x 16 Pc (-8 if item e. is pre-assembled, -4 if item k. is pre-assembled)

EC/ECM NO: 115310	SAP NO : 187000311	Doc No: AS-18700-039 Doc part: AS	REV- A6
SAP EC NO: 10832335	http://www.molexces.com/		DATE: 2017/MAY/11

- m. M6 HEX Nut x 4 Pc (nil separately if item k. is pre-assembled)
- Please Note that the CMA-00083 & CMA-00084 Vertical Rack Cable Manager is designed to:
 - Be mounted to a single MOLEX RAA-00002 Open Bay Rack or an equivalent EIA 19" Standard Rack
 - Be center mounted between two MOLEX RAA-00002 Open Bay Rack or an equivalent EIA 19" Standard Rack
- The Screw Kit provided allows for the center mounting of the CMA-00083 or CMA-00084 between two RAA-00002's at 4 points.

2. Installation of VRM with parts provided



- Assemble Bottom Support (Qty 4) to the U Bracket using M6 Screws (Qty 4) & M6 Hex Nuts (Qty 4).
- Mount the Top/Bottom bracket (Qty 4) to the U Bracket using M6 Philips pan head screws (Qty 8).
- Mount the Door Latch Bracket (Qty 2) to the Top/Bottom Bracket using M6 screws (Qty 4).

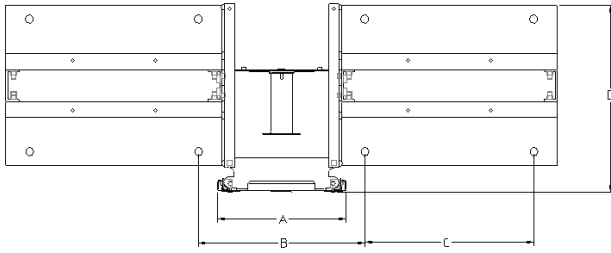
3. Installation of Open Bay Racks for Vertical Rack Cable Managers

NOTE: For proper and ease of installation, please ensure the RAA-00002/equivalent Open Bay Rack is firmly secured to floor with the appropriate mounting Hardware.

Where installation of Two Open Bay Racks is required it is recommended

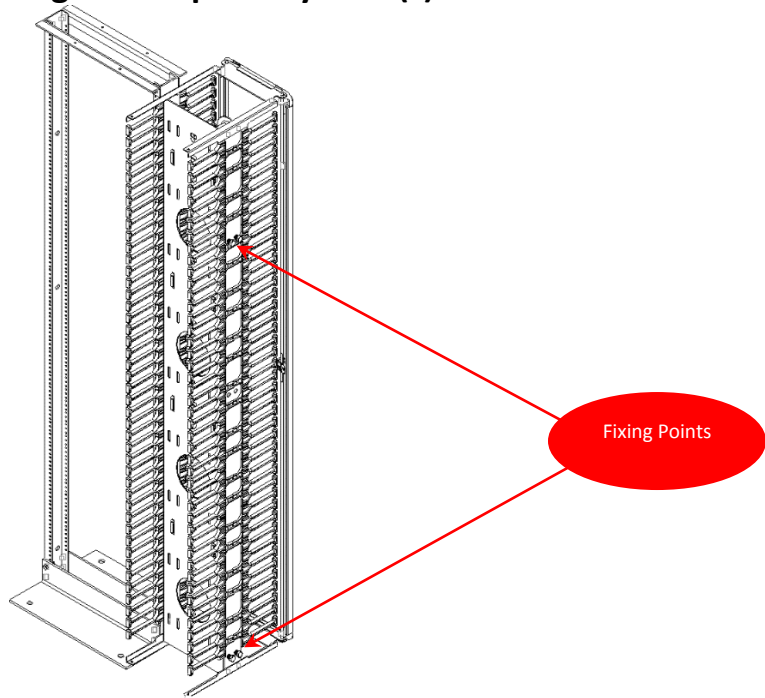
- To install a single rack first from which to mount the vertical rack cable manager.
- Install the vertical rack cable manager to the 1st fixed open bay rack
- install the vertical rack cable manager to the 2nd open bay rack
- Install 2nd open bay rack to the floor

Please refer to the spatial dimension below table to ensure accurate location of Open Bay Racks



TYPE	A	B	C	D
CMA-00083	305	397	402	444
CMA-00084	203	295	402	444
All dimensions are in mm				

4. Securing Vertical Rack Cable Managers to Open Bay Rack(s)

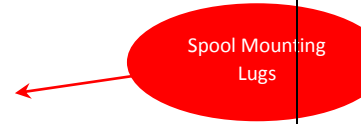
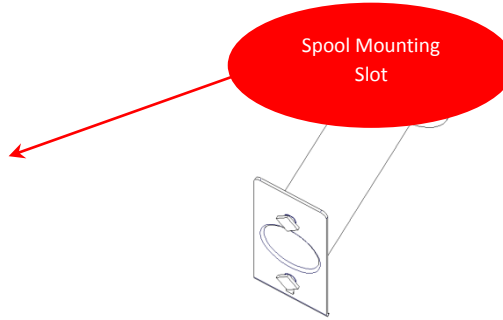
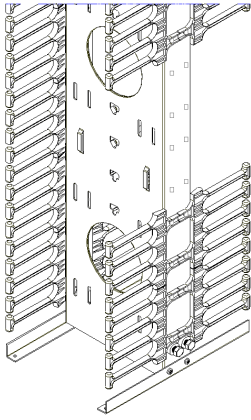


- The vertical rack cable manager has 3 mounting points located on either side of the frame (see above). There are two screw holes either side at the Top mount point, mid mount point and at the bottom mount point. It is recommended that two mounting points (Top and Bottom mounting points) are used to secure the frame to the open bay rack.
- Mounting the frame to the racks will require the use of the M12 x 35mm Screws and M12 Nuts provided.
- Having secured the VRCM to the 1st Rack using the remaining M12 x 35mm Screws and M12 Nuts install the VRCM to the second rack.
- Once the VRCM is secured to the second rack, install the second rack to floor using appropriate hardware.

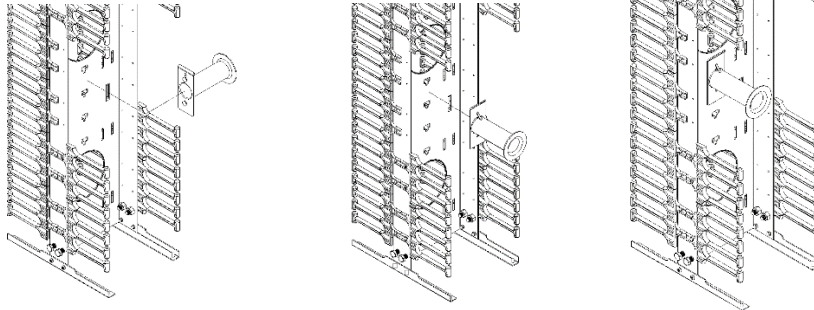
5. Assembly Method for Spools.

Spool are mounted on the VRM at regular spacing, in case they need to be mounted at different points follow the instruction

1. Along the length of the VRCM frame are spool mounting slots allowing flexibility of fitment (see below)

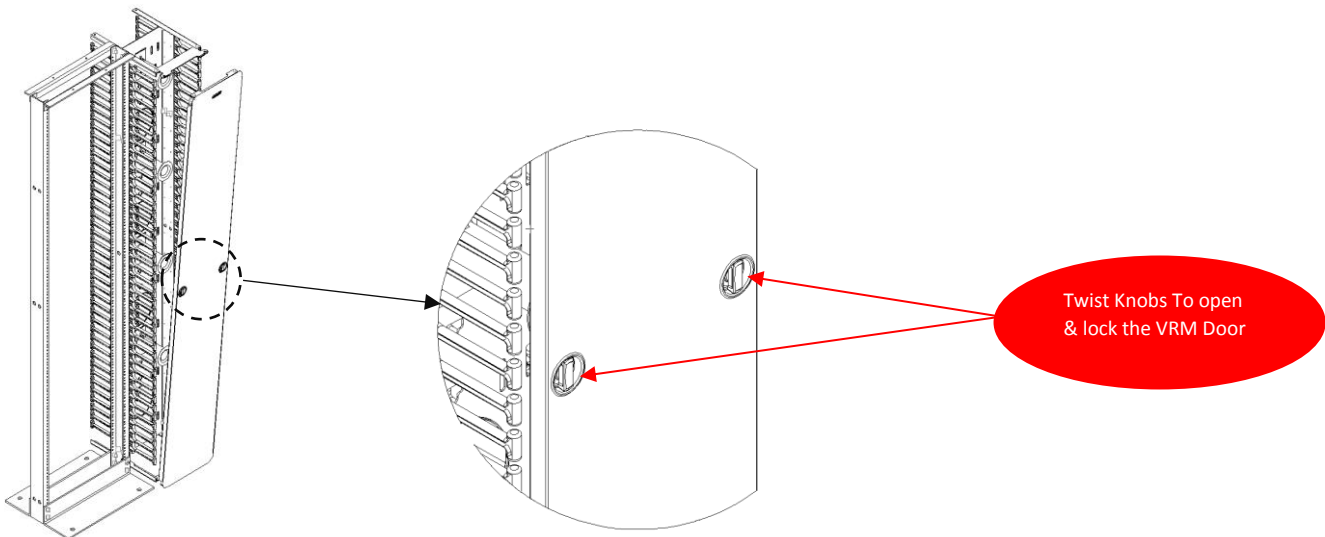


2. With the Spool Mounting Lugs (see above) facing towards the VRCM align them with the spool mounting slots with curled edge of plate facing up. Push the lugs into VRCM frame until lugs are flush with frame. Sliding downward and applying pressure lock lugs into place on frame. For removal, slide Spool upwards.



6. Dual Sided Door Installation

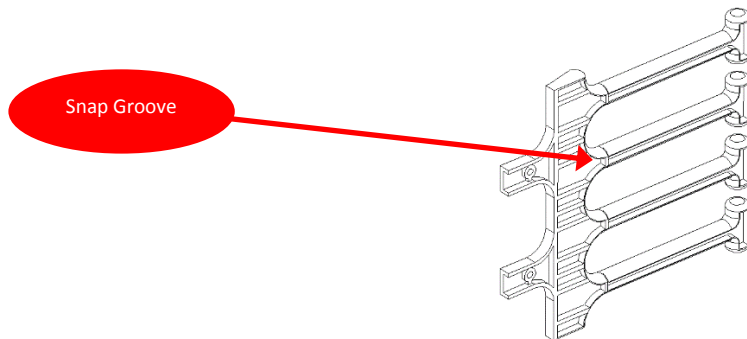
The CMA-00083 & CMA-00084 VRCM is able to be set for both left and right side door opening by turning the twist knobs.



1. To fit dual sided door, align lower pin mounting holes of the door with the holes on the lower door mounting bracket.
2. Align the upper pin mounting holes of the door with the holes on the upper door mounting bracket.
3. To lock door into frame, turn both left and right twist knobs.
4. To open door right side, unlock turning right twist knob, to open door left unlock turning left twist knob.

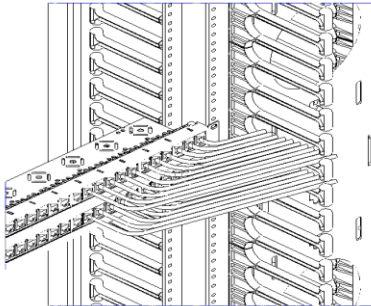
7. Converting to 2U Spacing

- The finger guides on the CMA-00083 and CMA-00084 are detachable, allowing flexible fit outs, as well as being able to convert to extra spaces.



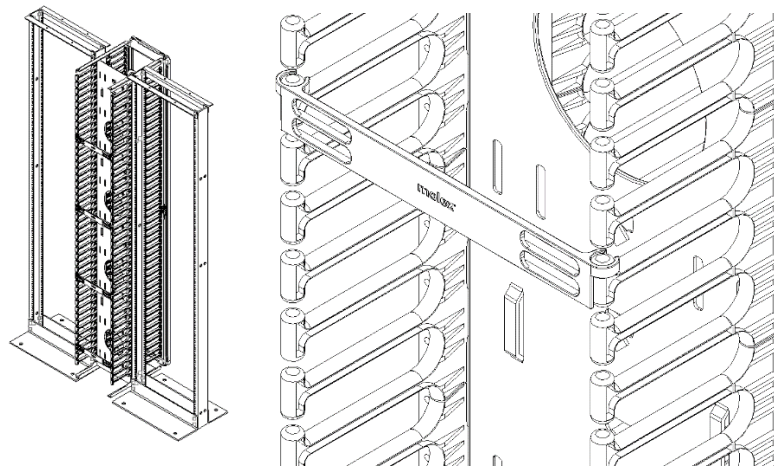
- Apply inward pressure to finger at the snap groove to break finger.
- Replacement finger guides can be ordered as required.

8. Cable Routing



- The height of the finger guides of the VRCM are designed to line up with Patch Panel.
- Routing cables through the fingers of the Vertical Rack Cable Manager with the corresponding patch panel will maintain the correct bend radii required for optimum performance.

9. Cable Retainer



1. Install Cable Retainers at desired locations on Plastic Finger Guides as shown.