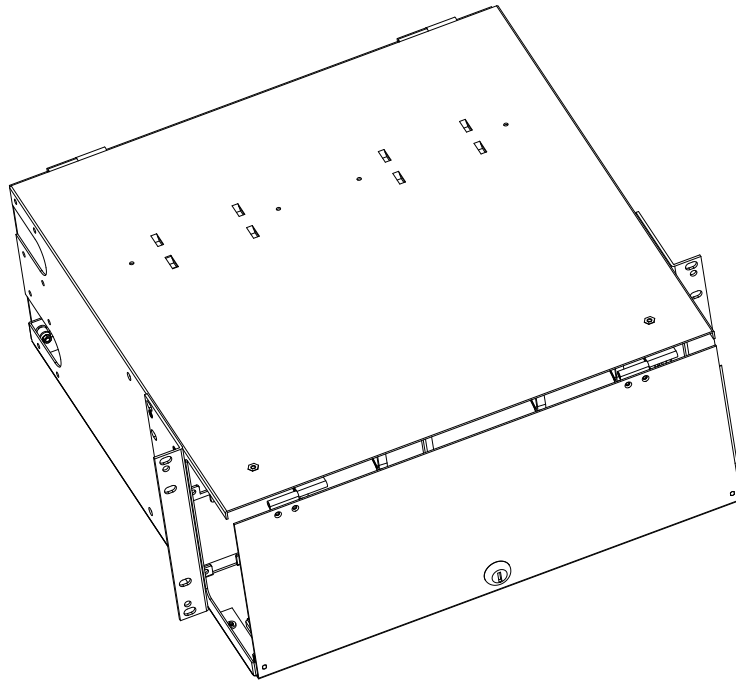


4U SPECIFICATION GRADE FIBER ENCLOSURE



1.0 SCOPE

This document provides Installation instructions of 4U specification grade fiber enclosure.

2.0 PRODUCT DESCRIPTION

144-288 Port 4U Specification Grade Fiber Enclosure

3.0 PROCEDURE:

The directions below apply specifically to the 4U fiber enclosure.

Installing adjustable mounting angles and rack mounting

- The mounting brackets can be installed in one of two positions which effects the depth the enclosure is installed in the rack or cabinet.
- Use M5 Phillips pan head screws to attach each mounting brackets to the enclosure.

Open/Close Front and Rear Doors (Fig. 1)

- Release the two pressure lock quick release latch fasteners.
- The doors are hinged and will drop down after the latches are released.
- Apply even tension to release latches.

ENGINEERING RECORD NO : 722326	SAP NO : 187000289	Doc No: AS-18700-001	Doc part: AS	REV- C
http://www.molexces.com				



Fig.1

Installation of Cable Management Hubs (Fig. 2)

- Cable Management Hub to be split into 2 halves.
- Cable Management Hubs may be installed in various positions. The images in Fig. 2 depict the most common positions.
- Cable Management hubs are secured onto the studs/screws using keps nuts (included in the accessory Kit) tightened by a suitable magnetic nut driver (hollow shank recommended).
Note: Socket head diameter “D” (as shown below) of the nut driver shall not be greater than Ø8.5mm.



- Note: Do not install cable management hubs for ModLink MPO cable installations.

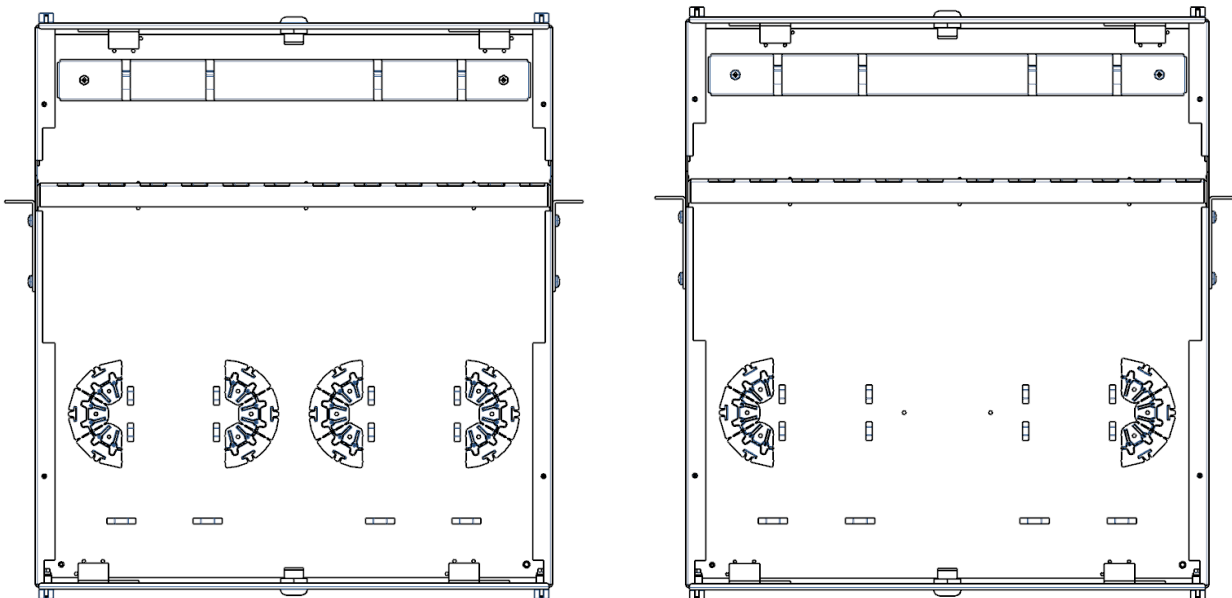


Fig.2

Back Cable Entry and Retention (Fig. 3)

- Cables can enter in either the left or right side of the enclosure from either the top or bottom.
- Install strain relief bracket(s) with two 8/32 x 5/16 Phillips pan head screws w/split washer as shown below to allow for either cable entry from above or below the enclosure.
- Secure cables with wire ties to the strain relief bracket.



Fig.3

Cable slack and routing

- Molex recommends a minimum of 1 meter (39.37 inches) of slack be stored inside the enclosure for both tight buffered and loose tube fiber optic cables.
- Note that 4 hook & loop tie off points are included on both the top and bottom of the rear of the enclosure to assist in securing cables at entry and managing cable slack.

CAUTION: Molex recommends wearing safety glasses when cutting fiber optic cable.

Armored Cable Grounding

Armored fiber optic cable metal sheaths may be terminated on the integral pem studs one on each side at the point of entry). A copper grounding nut is included in the Accessory Kit. For proper grounding practices refer to ANSI/J-STD-607-A grounding standard.

Mod Link MPO Plug & Play Cable Slack and Routing (Fig. 4)

WARNING: Never look into the connector of MPO assembly or terminated fiber. Laser light may be present and is invisible. Serious eye damage is possible.

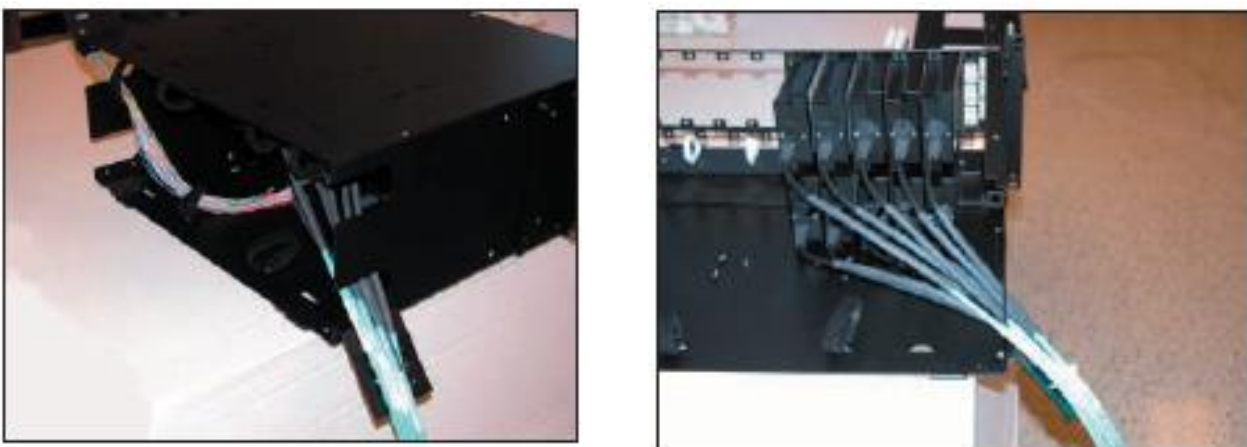


Fig:4

- Do not install cable management hubs when using ModLink MPO Assemblies.
- Install MPO assembly into the enclosure by loosely securing length of MPO Cable with a Velcro strap or wire tie. Do not tighten the Velcro or wire tie until adjustments in slack are made.
- In order to minimize cable fill inside the enclosure when installing round MPO assemblies, route the slack inside the enclosure from the left entry to plug into cassettes on left side and right entry to plug into cassettes on right side of enclosure (see above). When installing flat MPO cable assemblies, additional slack may be installed in the enclosure. Use hook and loop with Velcro straps to manage the slack.
- Plug assemblies into cassettes.
- Verify cables are cleanly routed, no kinks or sharp bend are made and slack is adequate. Tighten Velcro or wire ties, taking care not to damage the cable.

Installing Fiber Adapter Plates (Fig. 5)

- Up to (24) Fiber Adapter Plates may be installed in the enclosure.
- Adapter Plates utilize corner retention push pins which when pulled upon open two corner fasteners.
- Up to (24) Fiber Adapter Plates may be installed in the enclosure.
- Adapter Plates utilize corner retention push pins which when pulled upon open two corner fasteners.
- Position the Fiber Adapter Plate in the appropriate location within the enclosure and push the two corner fasteners back until they will go no further.



Fig.5

- **WARNING:** Dust caps should be left intact on all adapters when not in use. Never look into an open adapter as laser light may be present and is invisible. Serious eye damage is possible.

Installing ModLink Cassettes

- Up to (24) ModLink cassettes may be installed in the enclosure.
- ModLink cassettes utilize corner retention push pins which when pulled upon open two corner fasteners.
- Position the cassette in the appropriate location within the enclosure and push the two corner fasteners back until they will go no further.

Port Labeling (Fig. 6)

- Port ID labels are secured on the inside of the drawer with an adhesive backing.
 - Note that two Port ID label sheets are included in the package. Format & print Instructions are included on both labels.
1. Port ID Label Sheet Part Number 207-441 is set up for adapter plates that terminate 6 fibers.
 2. Port ID Label Sheet Part Number 207-447 is set up for adapter plates that terminate 12 fibers.



Fig.6