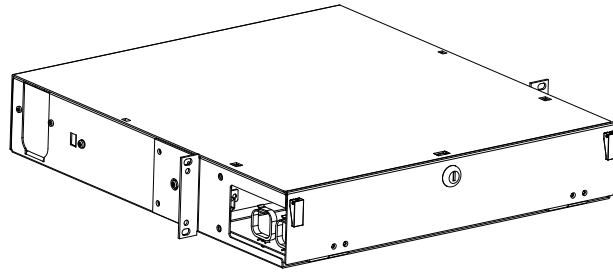


2U Specification Grade Fiber Enclosure



1.0 SCOPE:

This document provides Installation instructions of 2U specification grade fiber enclosure.

2.0 PRODUCT DESCRIPTION:

48-96 Port 2U Specification Grade Fiber Enclosure

3.0 PROCEDURES:

The directions below apply specifically to the 2U fiber enclosure:

Installing adjustable mounting angles and rack mounting

- The mounting brackets can be installed in one of two positions which effect the depth the enclosure is installed in the rack or cabinet.
- Use M5 Phillips pan head screws to attach each mounting brackets to the enclosure.

Open/Close Front Door (Fig. 1)

- Release the two pressure lock quick release latch fasteners.
- Use even pressure on both the right and left side to pull drawer out.
- Slide drawer out to its point of full extension.

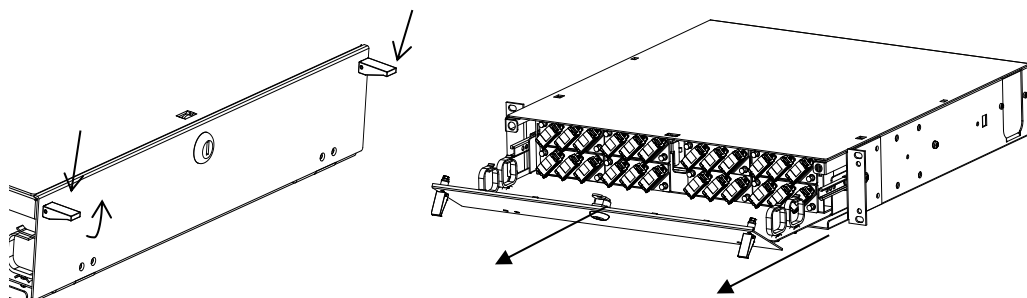


Fig. 1

Cover Removal (Fig. 2)

- Access to the top of the cover is not required to remove the cover.
- Release the two rear pressure lock quick release latch fasteners.
- Cover is now free to slide out.

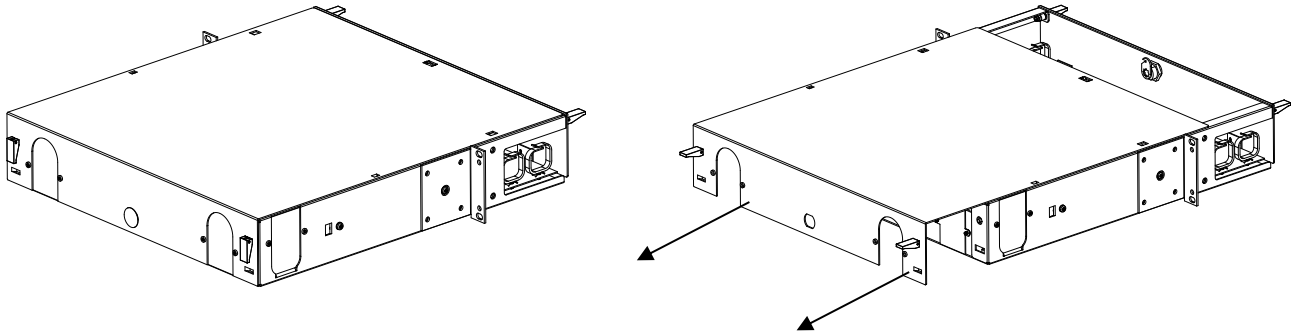


Fig. 2

Installation of Cable Management Hubs (Fig. 3)

- Cable Management Hub to be split into 2 halves.
- Cable Management Hubs may be installed in 4 positions.
- Cable Management hubs are secured onto the studs/screws using keps nuts (included in the accessory Kit) tightened by a suitable magnetic nut driver (hollow shank recommended).
Note: Socket head diameter “D” (as shown below) of the nut driver shall not be greater than $\varnothing 8.5\text{mm}$.



- Note: Do not install cable management hubs for ModLink MPO cable installations.

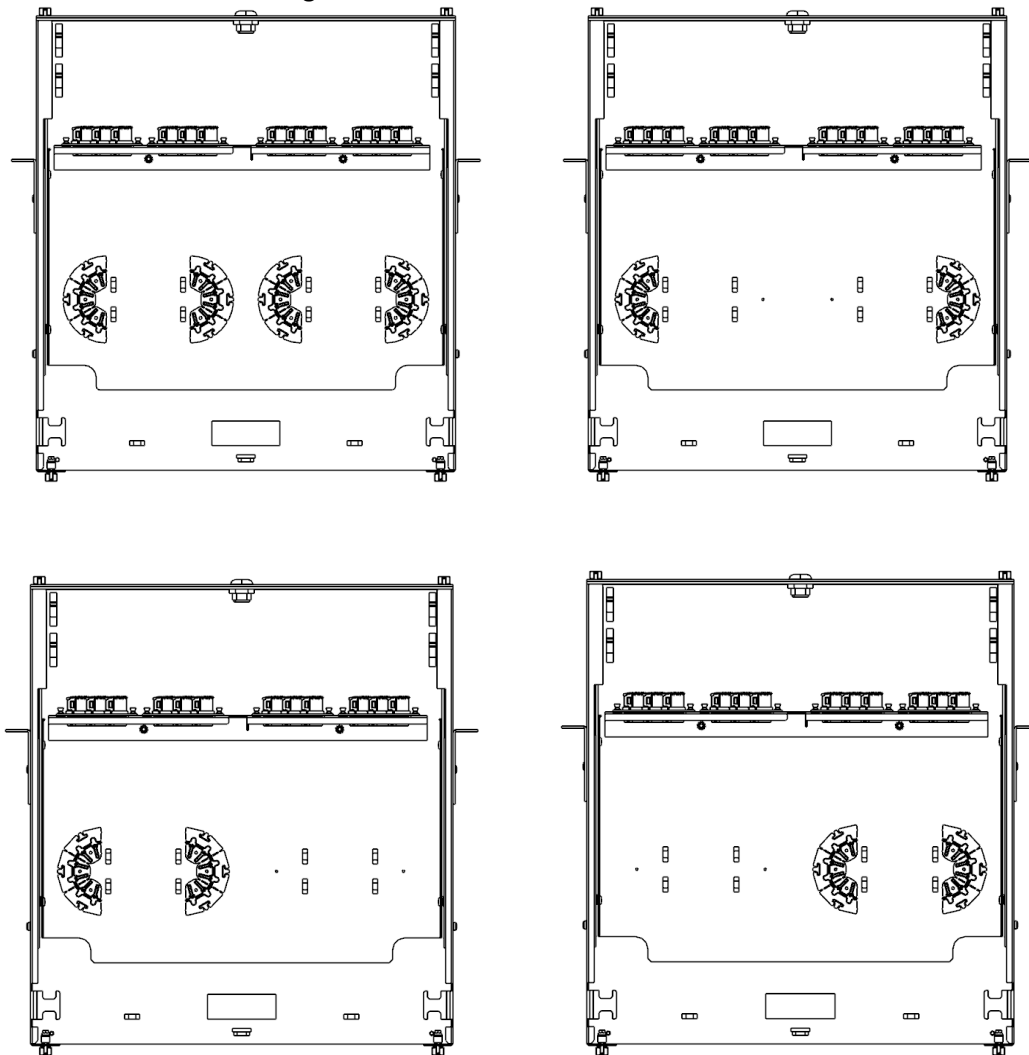


Fig. 3

Back Cable Entry & Retention (Fig. 4)

- Cables can enter in either the left or right back side of the enclosure.
- With cover removed cables may be fed over the top of the side walls.
- Secure cables with Velcro straps or wire ties to the strain relief / tie off feature.

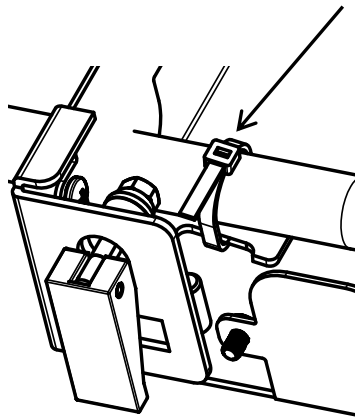


Fig. 4

CAUTION: Molex recommends wearing safety glasses when cutting fiber optic cable.

Armored Cable Grounding

Armored fiber optic cable metal sheaths may be terminated on the integral pem studs (one on each side at the point of entry). A copper grounding nut is included in the Accessory Kit. For proper grounding practices refer to ANSI/J-STD-607-A grounding standard.

Cable slack and routing (Fig. 5)

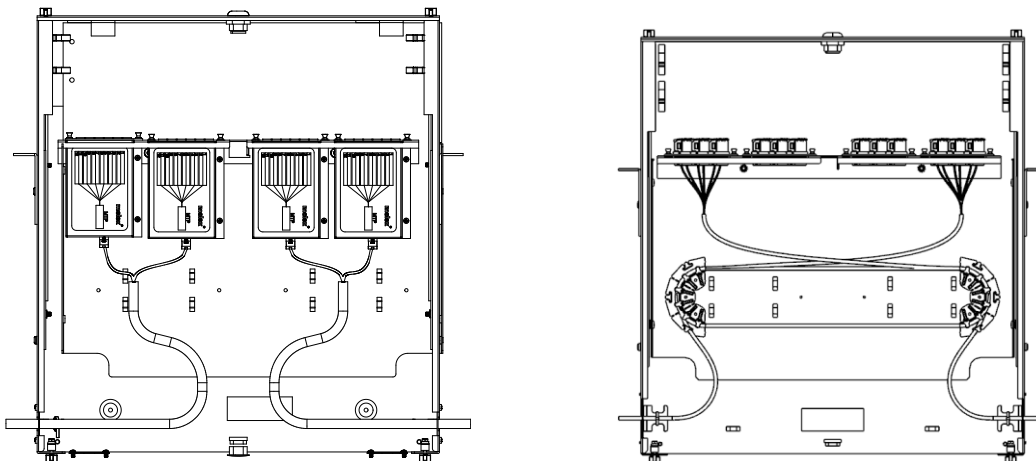


Fig. 5

- Adequate slack must be included inside the enclosure for sliding drawer to pull out.
- Full extension of the drawer is 5 ½" (139.7 mm).
- Molex recommends a minimum of 1 meter (39.37 inches) of slack be stored inside the enclosure for tight buffered and loose tube cables.
- Provide a minimum of 5 to 6 inches (127 mm to 152.4 mm) of slack between the cable entry point and the point where the cable begins to wind around the cable Management hubs or bound by Velcro straps.

ModLink MPO Plug & Play Cable Slack and Routing (Fig. 6)

WARNING: Never look into the connector of MPO assembly or terminated fiber. Laser light may be present and is invisible. Serious eye damage is possible.

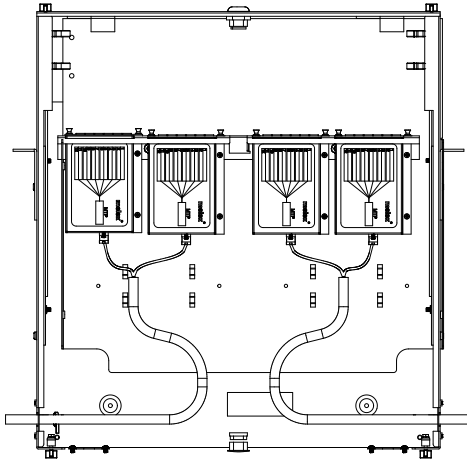


Fig. 6

- Do not install cable management hubs when using ModLink MPO Assemblies.
- Mark cable jacket 20" back from MPO connector with a marker.
- Install MPO assembly into the enclosure by loosely securing length of MPO cable with a Velcro strap or wire tie at the 20" mark. Do not tight the Velcro or wire until adjustment in slack are made to minimize stress on the cable assemblies when opening and closing the drawer.
- Route the slack inside the enclosure from the left entry to plug into cassettes on right side to plug into cassettes on left side of enclosure in a u shape
- Plug assemblies into cassettes.
- Verify slack is adequate and tighten Velcro or wire ties at being careful not to damage cable.

In all cases test the drawer after the fiber is secured to verify the drawer can open and close without restriction, and that strain relief is secure and the correct bend radius is maintained.

Installing Fiber Adapter Plates (Fig. 7)

- Up to eight Fiber Adapter Plates may be installed in the enclosure.
- Adapter Plates utilize corner retention push pins which when pulled upon open two corner fasteners.
- Position the Fiber Adapter Plate in the appropriate location within the enclosure and push the two corner fasteners gently back until they will go no further.

WARNING: Dust caps should be left intact on all adapters not in use. Never look into an open adapter as laser light may be present and is invisible. Serious eye damage is possible.

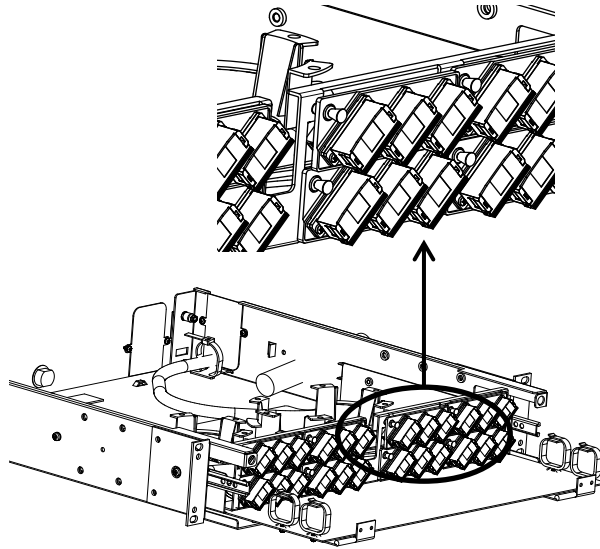


Fig. 7

Installing ModLink Cassettes

- Up to 8 ModLink cassettes may be installed in the enclosure.
- ModLink cassettes utilize corner retention push pins which when pulled upon open two corner fasteners.
- Position the cassette in the appropriate location within the enclosure and push the two corner fasteners gently back until they will go no further.

Port Labeling (Fig. 8)

- Port ID labels are secured on the inside of the panel door using 2 label holders per Sheet.
- Labels may be viewed from the front of the drawer.

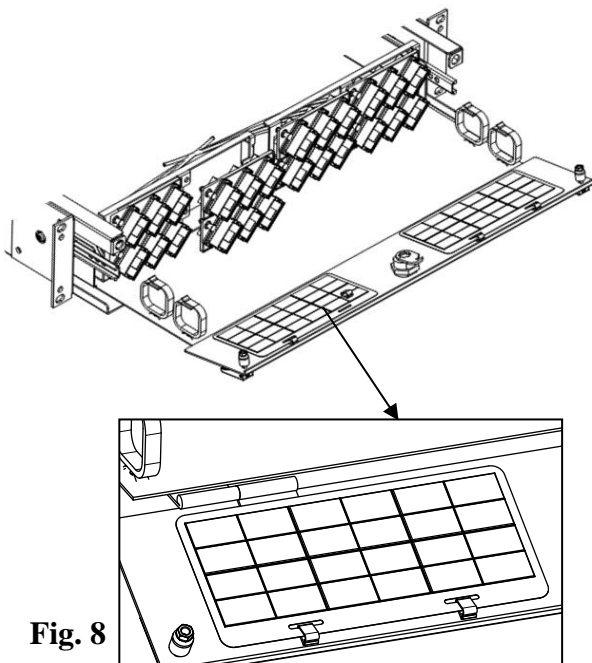


Fig. 8