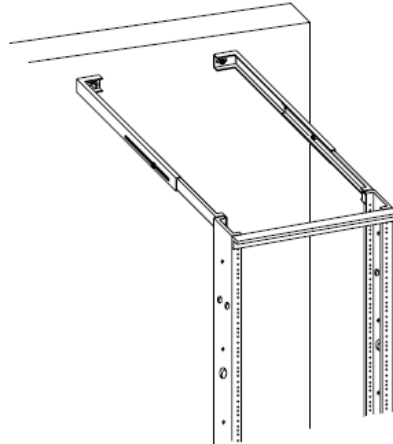


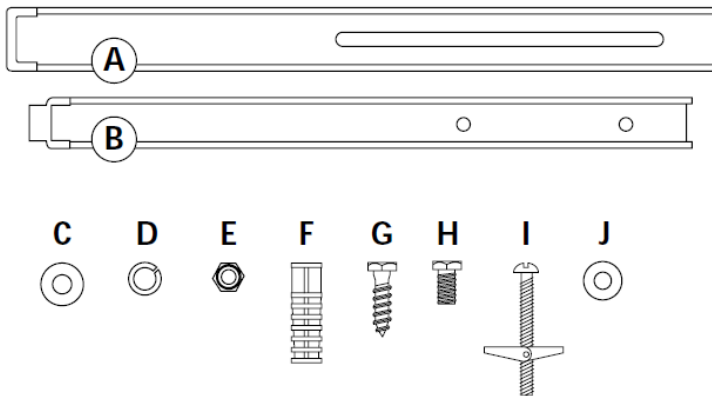
MOD STRUT II – MOUNTING KIT



1.0 SCOPE

This document provides the installation instruction for the Mod Strut II - Mounting Kit

2.0 HARDWARES



Order No.
RAA-00003

Included Items

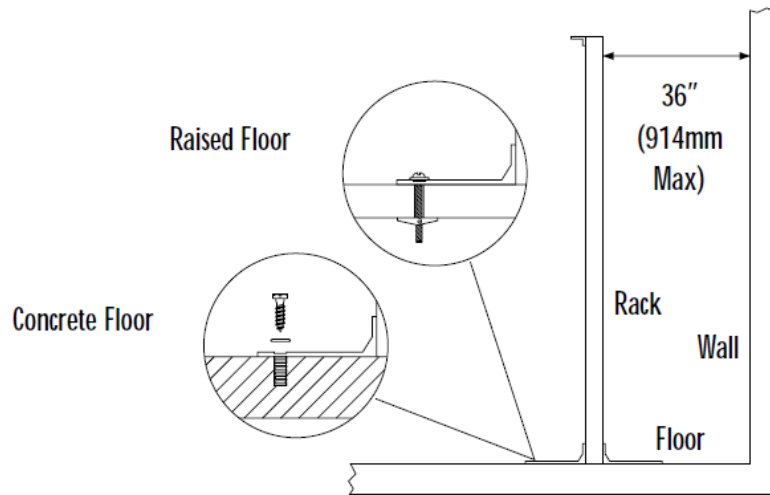
- A Channel "A" (2 ea)
- B Channel "B" (2 ea)
- C 3/8" Flat Washer (6 ea)
- D 3/8" Lock Washer (4 ea)
- E Hex Nut (4 ea)
- F Lag Shield (2 ea)
- G Lag Bolt (2 ea)
- H Hex Head Bolt (4 ea)
- I Toggle Bolt (2 ea)
- J 1/4" Lock Washer (2 ea)

EC/ECM NO: 108434	SAP NO : 187000489	Doc No: 187000489 Doc part: AS	REV- A2
SAP EC NO: 10794823	http://www.molexpn.com/		DATE: 2016/SEP/27

3. INSTALATION PROCEDURE

1. STEP 1

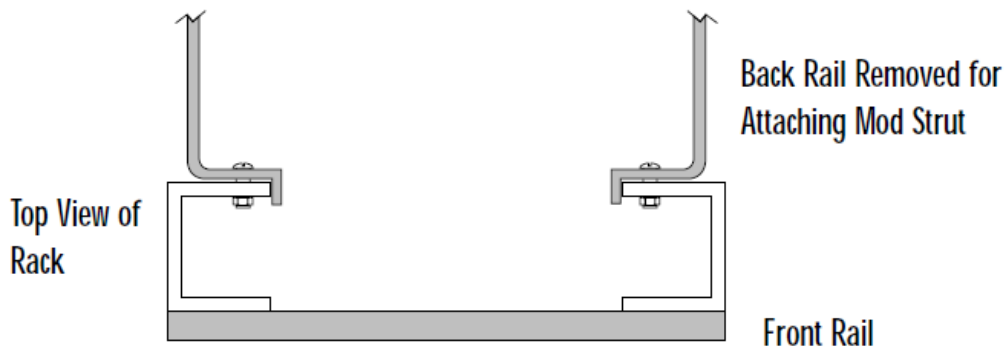
Position rack at desired location and mount to floor (not to exceed 36" (914.4 mm) From wall.



FLOOR	HOLE	RECOMMENDED HARDWARE (not included)
Concrete	1/2" (12.7 mm)	Lag Bolt with Shield
Raised	3/4" (19 mm)	Toggle Bolt with Flat Washer

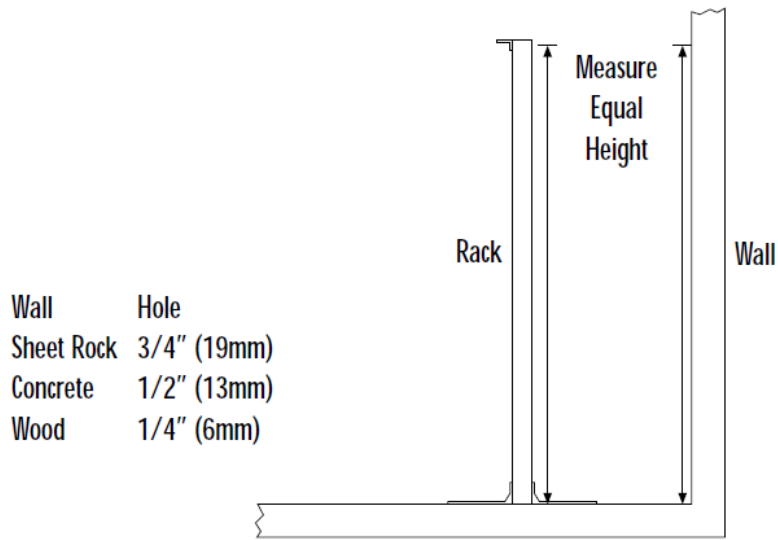
2. STEP 2

Remove the back rail located on the top of the rack. The existing holes will be used when attaching the Mod Strut (Steps 5 & 6).



3. STEP 3

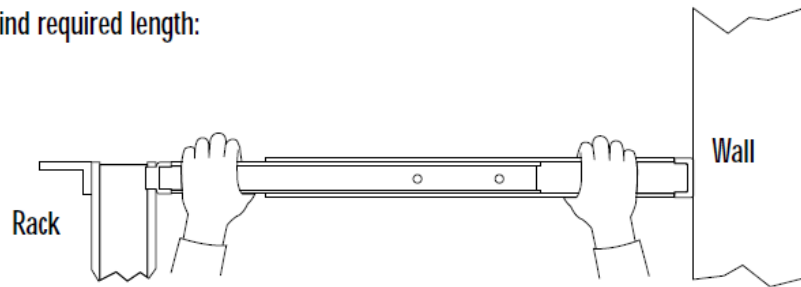
Measure distance from floor to hole in rack. Drill hole in wall measured equally from floor.



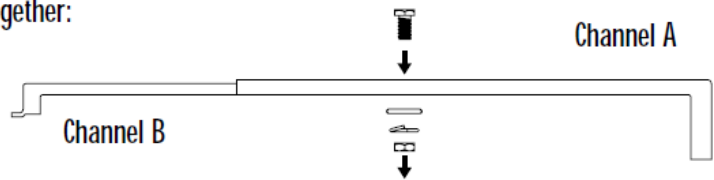
4. STEP 4

Slide Channel "A" onto Channel "B" to required length and lock together using one Lock Washer, Flat Washer, Hex Head Bolt, and Hex Nut for each side.

Find required length:

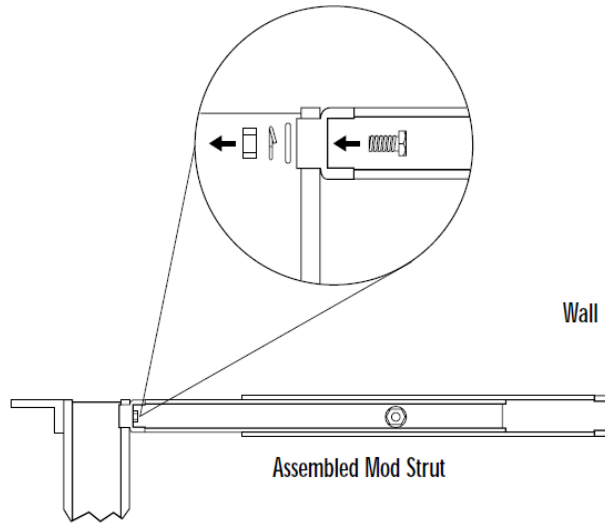


Lock together:



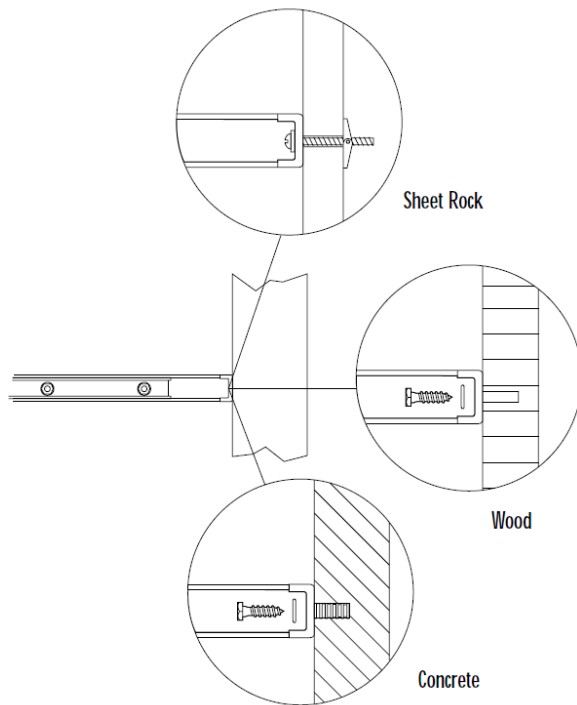
5. STEP 5

Install assembled Mod Strut II to rack using Hex Head Bolt, Flat Washer, Lock Washer and Hex Nut for each side.



6. STEP 6

Complete installation by attaching the other end of Mod Strut II to the wall using appropriate hardware.



WALL

Sheet Rock

Wood

Concrete

HARDWARE

Toggle Bolt and 1/4" Flat Washer

Lag Bolt and 3/8" Flat Washer

Lag Bolt, Shield, and 3/8" Flat Washer